

# Modena Santai /Contour Inset Spa Bath with tile bead

 MADE IN AUSTRALIA



SPA BATH SHELL



PUMP, JETS  
& FITTINGS

The Modena's increased width & depth makes it larger than many traditional shower baths. Additionally this bath has a slip resistant pattern that provides greater safety when entering & exiting the bath.

- AS/NZ Standard AS3861/1991
- Steel rod reinforced rim
- Double reinforced bath base
- Slip resistant patter
- Moulded arm rests

## PRODUCT SPECIFICATIONS

<b>Colour:</b>	High Gloss White
<b>Material:</b>	Premium Sanitary grade acrylic
<b>Length:</b>	1515mm / 1635mm / 1785mm
<b>Width:</b>	815mm
<b>Height:</b>	445mm / 510mm
<b>Capacity:</b>	124L / 159L / 194L [200mm below the bath rim]
<b>Bath Type:</b>	Inset
<b>Waste Position:</b>	End
<b>Warranty:</b>	*10 years spa shell, *5 years pump, jets, fittings* (refer to decina.com.au)

### MODENA SANTAI SPA BATH ● 10 JETS

SIZE (l) x (w) x (d) mm	CAPACITY*	NET WEIGHT	CODE
1515 x 815 x 445	124L	34.3kg	<b>MO1510SAN10JW</b>
1635 x 815 x 510	159L	37.6kg	<b>MO1650SAN10JW</b>
1785 x 815 x 510	194L	45kg	<b>MO1800SAN10JW</b>

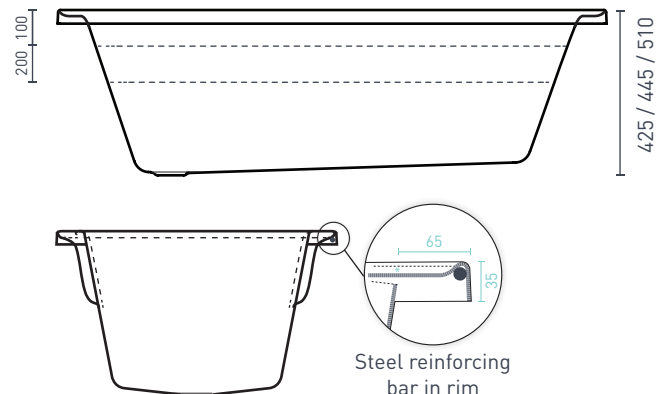
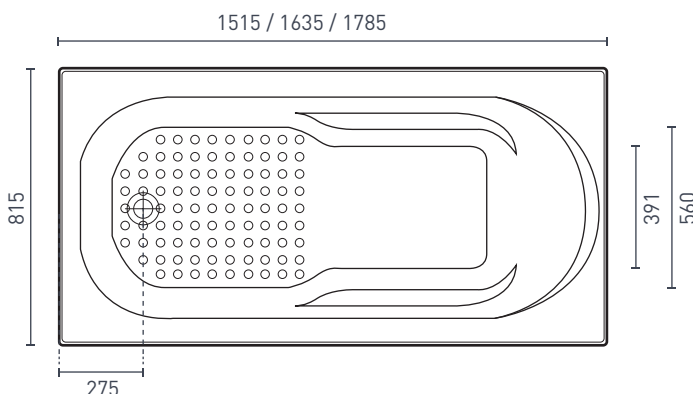
- 6 x low profile Mod centro jets
- 4 x low profile Mod mini jets
- 1 x low profile Mod suction
- 1 x Mod power button (rim mounted)
- 2 x Mod air controls (rim mounted)
- 750 watt pump with air tube connect which helps maintain water temperature by heat transfer.



### MODENA CONTOUR SPA BATH ●● 12 JETS

SIZE (l) x (w) x (d) mm	CAPACITY*	NET WEIGHT	CODE
1515 x 815 x 445	124L	34.3kg	<b>MO1510CNPAWC</b>
1635 x 815 x 510	159L	37.6kg	<b>MO1650CNPAWC</b>
1785 x 815 x 510	194L	45kg	<b>MO1800CNPAWC</b>

- 6 x flush C-Lenda™ centro jets
- 6 x flush C-Lenda™ mini jets
- 2 x flush C-Lenda™ air controls
- 1 x flush C-Lenda™ suction
- 1 x Sensa-Touch pad control (rim mounted)
- 750 watt 3-stage heat boost pump
- 1 x Sia black headrest



# SPA BATH ORDER FORM

Spa baths are made to order on receipt of the order form & are non-refundable. Please allow approximately 15-20 working days for completion & dispatch. We recommend filling out your SPA BATH ORDER FORM with your qualified tradesperson.

DATE: \_\_\_\_\_

COMPANY: \_\_\_\_\_ BRANCH: \_\_\_\_\_

CONTACT: \_\_\_\_\_ PHONE: \_\_\_\_\_

ORDER NO: \_\_\_\_\_ MODEL: \_\_\_\_\_ SIZE: \_\_\_\_\_

QTY: \_\_\_\_\_ RANGE: SANTAI      CONTOUR

CUSTOMER NAME: \_\_\_\_\_ CUSTOMER SIGNATURE: \_\_\_\_\_

CUSTOMER EMAIL: \_\_\_\_\_ CUSTOMER PHONE NO: \_\_\_\_\_

MODENA SPA BATH ACCESSORIES	PRODUCT CODE	SANTAI SPA BATH	CONTOUR SPA BATH
40mm Removable Pop-up Waste	Chrome <b>WA001</b> / White Gloss <b>WA002</b> Black Matte <b>WA003</b>	Optional	Optional
Pop-up Waste & Overflow Kit	Chrome <b>OWA001</b>	Optional	Optional
Pop-down Waste & Overflow Kit	Chrome <b>OWA002</b> / Black Matte <b>OWA003</b> White Gloss <b>OWA007</b>	Optional	Optional
Sia Headrest	Black Curved <b>SY242-B</b>	Optional	1 x Included
EZI Frame / Base Support Frame	<b>Various</b>	Optional	Optional
Flexible Bath Connector	<b>OWA005</b>	Optional	Optional
TriFlo Spa Pump Bracket & Cover (outside pump)	<b>EDG119</b>	Optional	Optional
TriFlo Cover Plate (outside pump)	<b>EDG138</b>	Optional	Optional
TriFlo Drain Tray & 1m Tubing (inside pump)	<b>EDG140</b>	Optional	Optional
Bamboo Bath Caddy	<b>BC001</b>	Optional	Optional

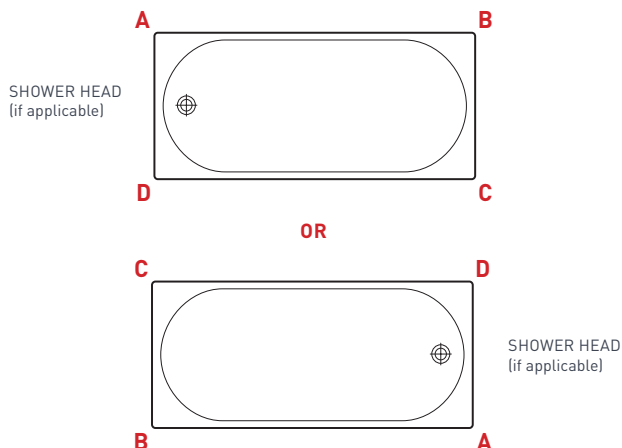
## SPA PUMP NOTES

- We recommend spa pumps installed outside are fitted with a Spa Pump Cover **EDG119**
- We recommend spa pumps installed inside are fitted with a Drain Tray **EDG140**
- Allow sufficient access of 500 x 500mm for pump maintenance (no access will void warranty)
- Recommended maximum distance from spa bath to pump is 1.2m
- The spa pump is 400(w) x 150(l) x 200(h)mm and does not fit directly within bath perimeter

**1. TICK THE BOX NEXT TO YOUR PUMP POSITION A / B / C / D ON THE DIAGRAM**

**2. TICK THE BOX ON THE LEFT OR RIGHT OF THE DIAGRAM FOR SHOWER HEAD POSITION (if applicable)**

Spa pump controls can not be on the same end as the shower.



Whilst every effort is made to adhere to published jet & fittings positions, variation to specifications may occur without notice. Spa bath jet colour options apply to Dolce Vita spa baths only.

\*Warranty T&Cs apply, visit [decina.com.au](http://decina.com.au) Decina reserves the right to change specifications without notice. Due to manufacturing tolerances dimensions may vary +/- 5mm. We recommend installation does not start until after delivery. Please confirm all particulars prior to purchase, call 1300 DECINA or visit [decina.com.au](http://decina.com.au)