

Modena Dolce Vita Inset Spa Bath with tile bead

 MADE IN AUSTRALIA



SPA BATH SHELL



PUMP, JETS
& FITTINGS

The Modena's increased width & depth makes it larger than many traditional shower baths. Additionally this bath has a slip resistant pattern that provides greater safety when entering & exiting the bath.

- Australian Standard 1172.5:2019
- Steel rod reinforced rim
- Double reinforced bath base
- Slip resistant patter
- Moulded arm rests

PRODUCT SPECIFICATIONS

Colour:	High Gloss White
Material:	Premium Sanitary grade acrylic
Length:	1635mm / 1785mm
Width:	815mm
Height:	510mm
Capacity:	159L / 194L [200mm below the bath rim]
Bath Type:	Inset
Waste Position:	End
Warranty:	*10 years spa shell, *5 years pump, jets, fittings* (refer to decina.com.au)

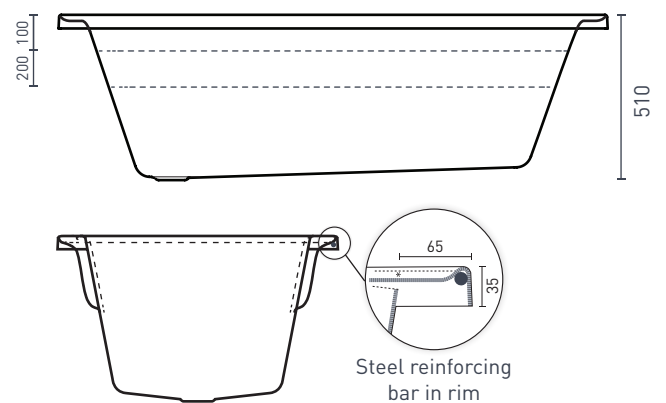
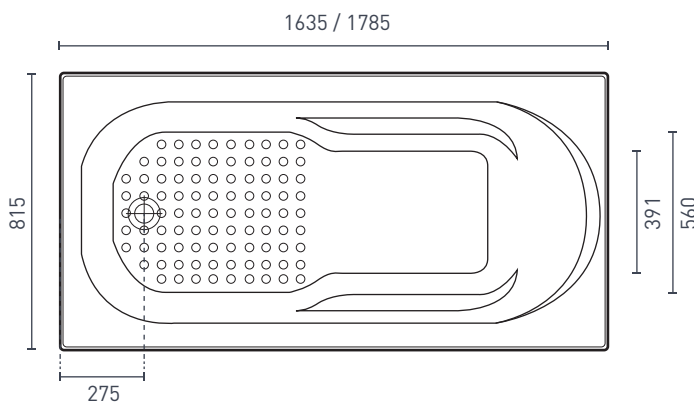
MODENA DOLCE VITA SPA BATH ●●●●●●●●●●●●●●●● 16 JETS

SIZE (l x w) x (d) mm	CAPACITY*	NET WEIGHT	CODE
1635 x 815 x 510	159L	68kg	M01650DVSPAWC
1785 x 815 x 510	194L	75kg	M01800DVSPAWC

- 6 x adjustable flush C-Lenda™ centro jets
- 10 x adjustable flush C-Lenda™ mini jets
- 2 x flush C-Lenda™ air controls
- 1 x flush C-Lenda™ suction
- Spa Key remote control
- 1100 watt spa key heat boost pump
- 1 x Sia black headrest



Available with Chrome, White or Black jets 



SPA BATH ORDER FORM

Spa baths are made to order on receipt of the order form & are non-refundable. Please allow approximately 15-20 working days for completion & dispatch. We recommend filling out your SPA BATH ORDER FORM with your qualified tradesperson.

DATE: _____

COMPANY: _____ BRANCH: _____

CONTACT: _____ PHONE: _____

ORDER NO: _____ MODEL: _____ SIZE: _____

QTY: _____ JET COLOUR: **DOLCE VITA ONLY** (NO additional cost)    Chrome White Black

CUSTOMER NAME: _____ CUSTOMER SIGNATURE: _____

CUSTOMER EMAIL: _____ CUSTOMER PHONE NO: _____

MODENA ACCESSORIES	PRODUCT CODE	DOLCE VITA
40mm Removable Pop-up Waste	Chrome WA001 / White Gloss WA002 / Black Matte WA003	Optional
Pop-up Waste & Overflow Kit	Chrome OWA001	Optional
Pop-down Waste & Overflow Kit	Chrome OWA002 / Black Matte OWA003 / White Gloss OWA007	Optional
Sia Headrest	Black Curved SY242-B	1 x Included
Base Support Frame	Various	Included
Flexible Bath Connector	OWA005	Optional
TriFlo Spa Pump Bracket & Cover (outside pump)	EDG119	Optional
TriFlo Cover Plate (outside pump)	EDG138	Optional
TriFlo Drain Tray & 1m Tubing (inside pump)	EDG140	Optional
Bamboo Bath Caddy	BC001	Optional

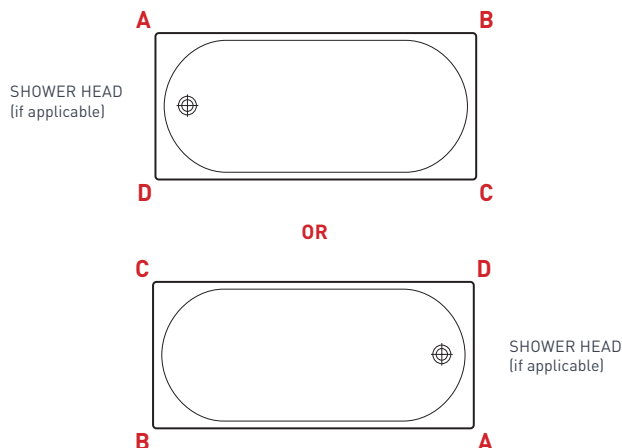
SPA PUMP NOTES

- We recommend spa pumps installed outside are fitted with a Spa Pump Cover **EDG119**
- We recommend spa pumps installed inside are fitted with a Drain Tray **EDG140**
- Allow sufficient access of 500 x 500mm for pump maintenance (no access will void warranty)
- Recommended maximum distance from spa bath to pump is 1.2m
- The spa pump is 400(w) x 150(l) x 200(h)mm and does not fit directly within bath perimeter

1. TICK THE BOX NEXT TO YOUR PUMP POSITION A / B / C / D ON THE DIAGRAM

2. TICK THE BOX ON THE LEFT OR RIGHT OF THE DIAGRAM FOR SHOWER HEAD POSITION (if applicable)

Spa pump controls can not be on the same end as the shower.



Whilst every effort is made to adhere to published jet & fittings positions, variation to specifications may occur without notice. *Warranty T&Cs apply, visit decina.com.au Decina reserves the right to change specifications without notice. Due to manufacturing tolerances dimensions may vary +/- 5mm. We recommend installation does not start until after delivery. Please confirm all particulars prior to purchase, call 1300 DECINA or visit decina.com.au