

# Mintori Freestanding Dolce Vita Spa Bath [18 Jets]

Product Code: **MI1800FSDVSPAWC**


 **MADE IN AUSTRALIA**



Spa shell

Pump, jets & fittings  
(refer to decina.com.au)

The Mintori has generous reclining lumbar supports, perfect for dual bathing and the classic oval design features a generous bath rim. Removable side panels, which use a patented magnetic fixing system, create access for easier installation & cleaning.

- AS/NZ Standard 2023/1995
- Adjustable self-supporting feet
- Removable side panels
- Steel rod reinforced rim
- Lumbar support
- Suitable for dual bathing
- 6 x adjustable flush C-Lenda™ centro jets
- 12 x adjustable flush C-Lenda™ mini jets
- 2 x flush C-Lenda™ air controls
- 1 x flush C-Lenda™ suction
- Spa Key remote control
- 1100 watt spa key heat boost pump
- 2 x SIA black headrests included
- Available with chrome, white or black jets 

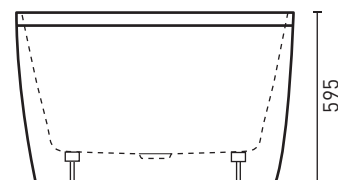
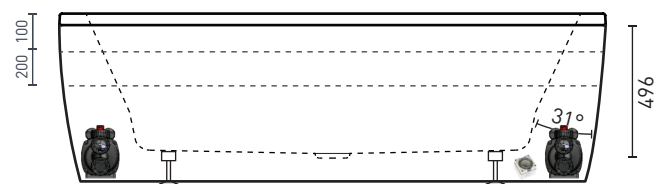
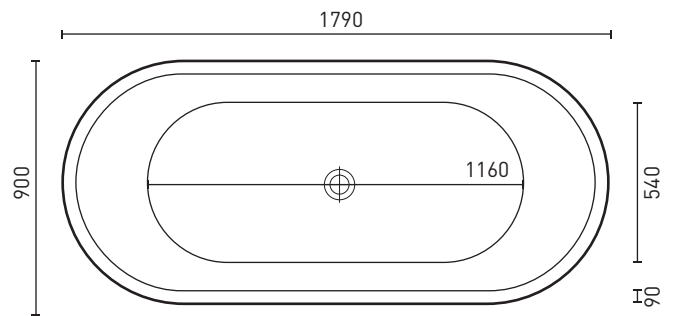
## PRODUCT SPECIFICATIONS

<b>Colour:</b>	High gloss white
<b>Material:</b>	Premium sanitary grade acrylic
<b>Length:</b>	1790mm
<b>Width:</b>	900mm
<b>Height:</b>	595mm - 630mm [height adjustable]
<b>Capacity:</b>	190L [200mm below the bath rim]
<b>Bath Type:</b>	Freestanding spa bath
<b>Waste Position:</b>	Centre
<b>Net Weight:</b>	85kg

<b>Pump</b>	6102
<b>Voltage</b>	240W
<b>Power</b>	750W
<b>Heater</b>	700W
<b>Current</b>	7.5A
<b>Flow Rate</b>	350LPM

## OPTIONAL ACCESSORIES

- 40mm Removable pop-up waste *Chrome* **WA001**, *White Gloss* **WA002**, *Black Matte* **WA003**
- Pop-up waste & overflow kit *Chrome* **OWA001**
- Pop-down waste & overflow kit *Chrome* **OWA002**
- Pop-down waste & overflow kit *Black* **OWA003**
- Sia headrest *Black Curved* **SY242-B**



Spa bath pumps must be fitted in accordance with relevant national wiring electrical standards AS3000. The pump is fitted with a standard 10A three pin plug power supply. The spa bath pump power connection must be accessible so that it can be switched OFF in case of an emergency, but must not be accessible by the bath user. Use 1 waterproof power point under the bath. Edgetec recommends that the pump be supplied by an isolating transformer or supplied through a residential current device(RCD) with a rated operating current of <30mA. If damage does occur to the power cord it must be replaced by Edgetec or an authorised service agent or suitable qualified person.

## MINTORI DOLCE VITA SPA BATH ORDER FORM

Spa baths are made to order on receipt of the order form & are non-refundable. Please allow approximately 15-20 working days for completion & dispatch. We recommend filling out your SPA BATH ORDER FORM with your qualified tradesperson.

COMPANY & BRANCH: \_\_\_\_\_

PHONE NO: \_\_\_\_\_ CONTACT: \_\_\_\_\_

ORDER NO: \_\_\_\_\_ DATE: \_\_\_\_\_

MODEL: \_\_\_\_\_ QTY: \_\_\_\_\_

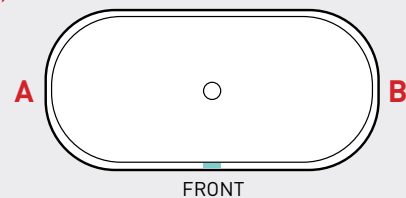
JET COLOUR:  Chrome  White  Black 

### SPA PUMP NOTES

- The Spa Pump fits directly underneath the baths perimeter
- The Spa Pump should be easily accessible for maintenance
- Waste positions can not be changed
- The Spa Pump controls will always be at the front, unless indicated below

Please refer to the technical drawings before choosing your spa pump position, as spa bath waste & pump positions CANNOT be customised

**PLEASE SPECIFY THE SPA PUMP POSITION** Circle **A** or **B** on the diagram



CUSTOMER NAME: \_\_\_\_\_

CUSTOMER EMAIL: \_\_\_\_\_ CUSTOMER PHONE NO: \_\_\_\_\_

CUSTOMER SIGNATURE: \_\_\_\_\_

\*Whilst every effort is made to adhere to published jet & fittings positions, variation to specifications may occur without notice.

**DECINA**  
DISCOVER INDULGENCE

DECINA.COM.AU 1300 DECINA   

\*Warranty T&Cs apply, visit [decina.com.au](http://decina.com.au) Decina reserves the right to change specifications without notice. Due to manufacturing tolerances dimensions may vary +/- 5mm. We recommend installation does not start until after delivery. Please confirm all particulars prior to purchase, call 1300 DECINA or visit [decina.com.au](http://decina.com.au)