

Duo Santai / Contour Island Spa Bath

 MADE IN AUSTRALIA



SPA BATH SHELL



PUMP, JETS & FITTINGS

The Duo's classic oval design makes it a show stopping addition, perfect for larger bathrooms. Moulded arm rests & back supports, plus large water capacity combine to provide superb comfort for two bathers.

- AS/NZ Standard AS3861/1991
- Double reinforced bath base
- Suitable for dual bathing
- Moulded arm rests

PRODUCT SPECIFICATIONS

| | |
|------------------------|--|
| Colour: | High Gloss White |
| Material: | Premium Sanitary grade acrylic |
| Length: | 1850mm |
| Width: | 1275mm |
| Height: | 485mm |
| Capacity: | 295L [200mm below the bath rim] |
| Bath Type: | Island |
| Waste Position: | Front |
| Warranty: | *10 years spa shell, *5 years pump, jets, fittings [*refer to decina.com.au] |

DUO SANTAI SPA BATH ● 12 JETS

| SIZE (l) x (w) x (d) mm | CAPACITY* | NET WEIGHT | CODE |
|-------------------------|-----------|------------|---------------|
| 1850 x 1275 x 485 | 295L | 55kg | DU1850SAN12JW |

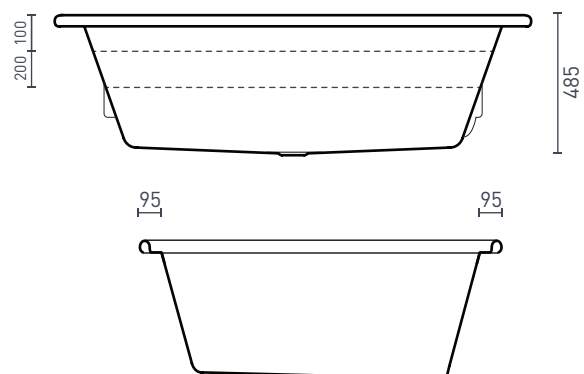
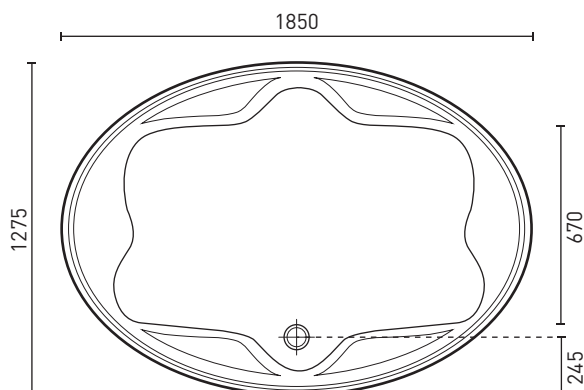
- 6 x low profile Mod centro jets
- 6 x low profile Mod mini jets
- 1 x low profile Mod suction
- 1 x Mod power button (rim mounted)
- 2 x Mod air controls (rim mounted)
- 750 watt pump with air tube connect which helps maintain water temperature by heat transfer.



DUO CONTOUR SPA BATH ●● 16 JETS

| SIZE (l) x (w) x (d) mm | CAPACITY* | NET WEIGHT | CODE |
|-------------------------|-----------|------------|---------------|
| 1850 x 1275 x 485 | 295L | 55kg | DU1850CNSPAWC |

- 6 x flush C-Lenda™ centro jets
- 8 x flush C-Lenda™ mini jets
- 2 x flush C-Lenda™ air controls
- 1 x flush C-Lenda™ suction
- 1 x Sensa-Touch pad control (rim mounted)
- 750 watt 3-stage heat boost pump
- 2 x Sia black headrests



SPA BATH ORDER FORM

Spa baths are made to order on receipt of the order form & are non-refundable. Please allow approximately 15-20 working days for completion & dispatch. We recommend filling out your SPA BATH ORDER FORM with your qualified tradesperson.

DATE: _____

COMPANY: _____ BRANCH: _____

CONTACT: _____ PHONE: _____

ORDER NO: _____ MODEL: _____ SIZE: _____

QTY: _____ RANGE: SANTAI CONTOUR

CUSTOMER NAME: _____ CUSTOMER SIGNATURE: _____

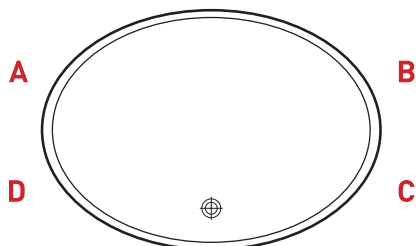
CUSTOMER EMAIL: _____ CUSTOMER PHONE NO: _____

| DUO SPA BATH ACCESSORIES | PRODUCT CODE | SANTAI SPA BATH | CONTOUR SPA BATH |
|--|---|-----------------|------------------|
| 40mm Removable Pop-up Waste | Chrome WA001 / White Gloss WA002 Black Matte WA003 | Optional | Optional |
| Pop-up Waste & Overflow Kit | Chrome OWA001 | Optional | Optional |
| Pop-down Waste & Overflow Kit | Chrome OWA002 / Black Matte OWA003 White Gloss OWA007 | Optional | Optional |
| Sia Headrest | Black Curved SY242-B | Optional | 2 x Included |
| EZI Frame / Base Support Frame | Various | Optional | Optional |
| Flexible Bath Connector | OWA005 | Optional | Optional |
| TriFlo Spa Pump Bracket & Cover (outside pump) | EDG119 | Optional | Optional |
| TriFlo Cover Plate (outside pump) | EDG138 | Optional | Optional |
| TriFlo Drain Tray & 1m Tubing (inside pump) | EDG140 | Optional | Optional |
| Bamboo Bath Caddy | BC001 | Optional | Optional |

SPA PUMP NOTES

- We recommend spa pumps installed outside are fitted with a Spa Pump Cover **EDG119**
- We recommend spa pumps installed inside are fitted with a Drain Tray **EDG140**
- Allow sufficient access of 500 x 500mm for pump maintenance (no access will void warranty)
- Recommended maximum distance from spa bath to pump is 1.2m
- The spa pump is 400(w) x 150(l) x 200(h)mm and does not fit directly within bath perimeter

TICK THE BOX NEXT TO YOUR PUMP POSITION **A / B / C / D** ON THE DIAGRAM



Whilst every effort is made to adhere to published jet & fittings positions, variation to specifications may occur without notice. Spa bath jet colour options apply to Dolce Vita spa baths only.

*Warranty T&Cs apply, visit decina.com.au Decina reserves the right to change specifications without notice. Due to manufacturing tolerances dimensions may vary +/- 5mm. We recommend installation does not start until after delivery. Please confirm all particulars prior to purchase, call 1300 DECINA or visit decina.com.au