

Cortez Santai / Contour Inset Spa Bath with tile bead

 MADE IN AUSTRALIA



SPA BATH SHELL



PUMP, JETS
& FITTINGS

The Cortez's classic design features a tile bead around the bath's perimeter allows it to be fixed into a wall and used as an Inset bath.

- AS/NZ Standard AS3861/1991
- Steel rod reinforced rim
- Double reinforced bath base

PRODUCT SPECIFICATIONS

Colour:	High Gloss White
Material:	Premium Sanitary grade acrylic
Length:	1520mm / 1670mm
Width:	765mm
Height:	450mm
Capacity:	136L / 154L [200mm below the bath rim]
Bath Type:	Inset
Waste Position:	End
Warranty:	*10 years spa shell, *5 years pump, jets, fittings (*refer to decina.com.au)

CORTEZ SANTAI SPA BATH ● 10 JETS

SIZE (l) x (w) x (d) mm	CAPACITY*	NET WEIGHT	CODE
1520 x 765 x 450	136L	35kg	CO1525SAN10JW
1670 x 765 x 450	154L	42kg	CO1675SAN10JW

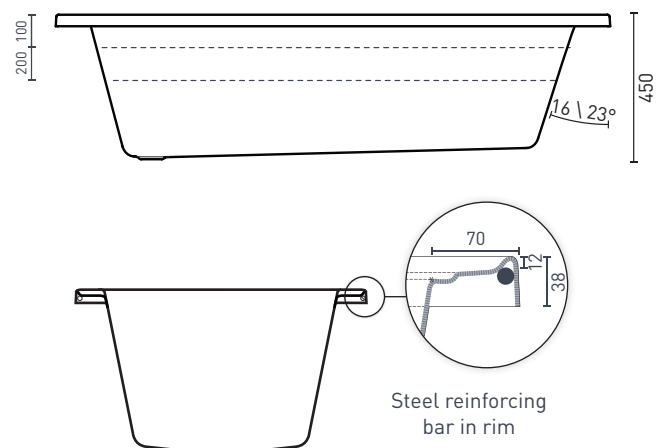
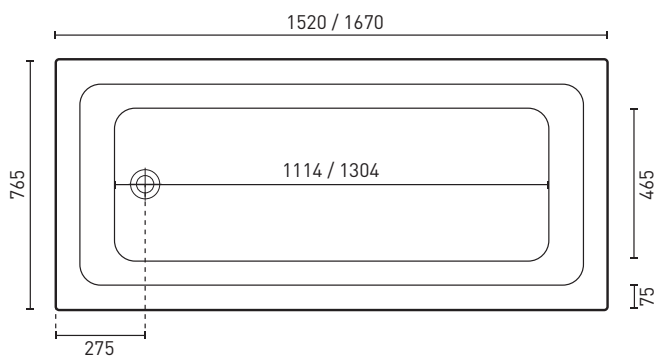
- 6 x low profile Mod centro jets
- 4 x low profile Mod mini Jets
- 1 x low profile Mod suction
- 1 x Mod power button (rim mounted)
- 2 x Mod air controls (rim mounted)
- 750 watt pump with air tube connect which helps maintain water temperature by heat transfer.



CORTEZ CONTOUR SPA BATH ●● 12 JETS

SIZE (l) x (w) x (d) mm	CAPACITY*	NET WEIGHT	CODE
1520 x 765 x 450	136L	35kg	CO1525CNSPAWC
1670 x 765 x 450	154L	42kg	CO1675CNSPAWC

- 6 x flush C-Lenda™ centro jets
- 6 x flush C-Lenda™ mini jets
- 2 x flush C-Lenda™ air controls
- 1 x flush C-Lenda™ suction
- 1 x Sensa-Touch pad control (rim mounted)
- 750 watt 3-stage heat boost pump
- 1 x Fiore black headrest



SPA BATH ORDER FORM

Spa baths are made to order on receipt of the order form & are non-refundable. Please allow approximately 15-20 working days for completion & dispatch. We recommend filling out your SPA BATH ORDER FORM with your qualified tradesperson.

DATE: _____

COMPANY: _____ BRANCH: _____

CONTACT: _____ PHONE: _____

ORDER NO: _____ MODEL: _____ SIZE: _____

QTY: _____ RANGE: SANTAI CONTOUR

CUSTOMER NAME: _____ CUSTOMER SIGNATURE: _____

CUSTOMER EMAIL: _____ CUSTOMER PHONE NO: _____

CORTEZ SPA BATH ACCESSORIES	PRODUCT CODE	SANTAI SPA BATH	CONTOUR SPA BATH
40mm Removable Pop-up Waste	Chrome WA001 / White Gloss WA002 Black Matte WA003	Optional	Optional
Pop-up Waste & Overflow Kit	Chrome OWA001	Optional	Optional
Pop-down Waste & Overflow Kit	Chrome OWA002 / Black Matte OWA003 White Gloss OWA007	Optional	Optional
Fiore Headrest	Black Straight SY242-A-B	Optional	1 x Included
EZI Frame / Base Support Frame	Various	Optional	Optional
Flexible Bath Connector	OWA005	Optional	Optional
TriFlo Spa Pump Bracket & Cover (outside pump)	EDG119	Optional	Optional
TriFlo Cover Plate (outside pump)	EDG138	Optional	Optional
TriFlo Drain Tray & 1m Tubing (inside pump)	EDG140	Optional	Optional
Bamboo Bath Caddy	BC001	Optional	Optional

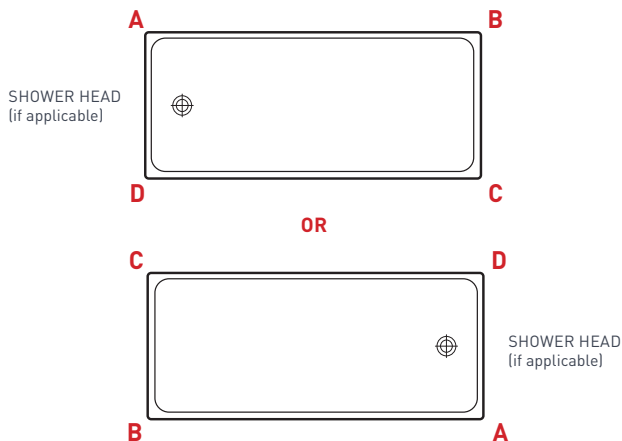
SPA PUMP NOTES

- We recommend spa pumps installed outside are fitted with a Spa Pump Cover **EDG119**
- We recommend spa pumps installed inside are fitted with a Drain Tray **EDG140**
- Allow sufficient access of 500 x 500mm for pump maintenance (no access will void warranty)
- Recommended maximum distance from spa bath to pump is 1.2m
- The spa pump is 400(w) x 150(l) x 200(h)mm and does not fit directly within bath perimeter

1. TICK THE BOX NEXT TO YOUR PUMP POSITION **A / B / C / D** ON THE DIAGRAM

2. TICK THE BOX ON THE LEFT OR RIGHT OF THE DIAGRAM FOR SHOWER HEAD POSITION *(if applicable)*

Spa pump controls can not be on the same end as the shower.



Whilst every effort is made to adhere to published jet & fittings positions, variation to specifications may occur without notice. *Warranty T&Cs apply, visit decina.com.au Decina reserves the right to change specifications without notice. Due to manufacturing tolerances dimensions may vary +/- 5mm. We recommend installation does not start until after delivery. Please confirm all particulars prior to purchase, call 1300 DECINA or visit decina.com.au