

Bella Inset Shower Bath with tile bead

Product Code: **BE895W**



MADE IN AUSTRALIA

The Bella's compact size makes it water efficient, while its slip resistant surface adds extra safety. Many houses require a shower base that can double as a small bath that can be easily accessible for those less mobile.

- AS/NZ Standard 2023/1995
- Tile bead for in-wall installations
- Steel rod reinforced rim
- Double reinforced bath base
- Slip resistant base
- Integrated soap holder

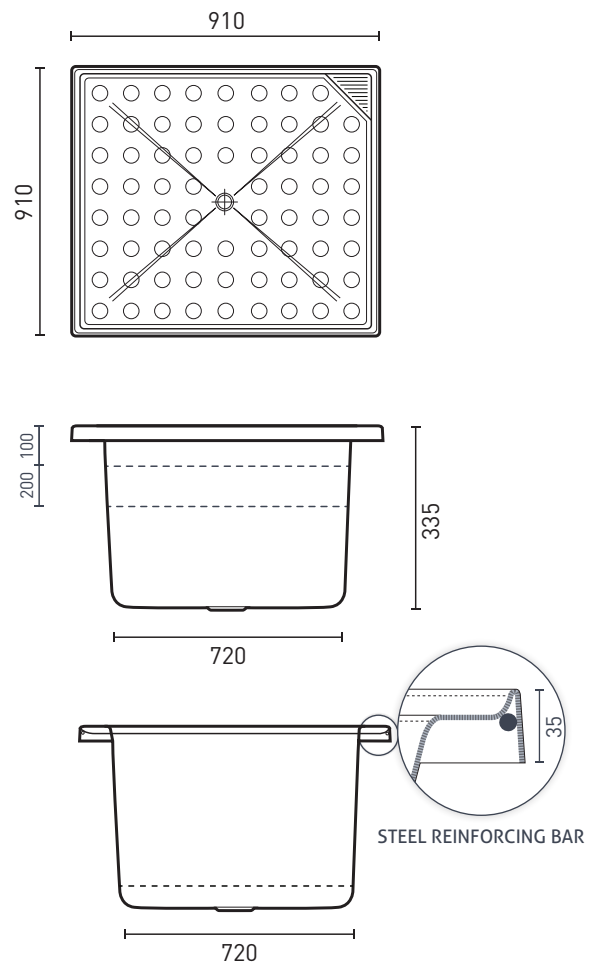


PRODUCT SPECIFICATIONS

Colour:	High Gloss White
Material:	Premium sanitary grade acrylic
Length:	910mm
Width:	910mm
Height:	335mm
Capacity:	69L [200mm below the bath rim]
Bath Type:	Inset
Waste Position:	Centre
Net Weight:	13.8kg
Warranty:	15 years* [refer to decina.com.au]

OPTIONAL ACCESSORIES

- 40mm Removable pop-up waste *Chrome* **WA001**
White Gloss **WA002**, *Black Matte* **WA003**



DECINA
DISCOVER INDULGENCE

[DECINA.COM.AU](https://www.decina.com.au) 1300 DECINA

*Warranty T&Cs apply, visit [decina.com.au](https://www.decina.com.au) Decina reserves the right to change specifications without notice. Due to manufacturing tolerances dimensions may vary +/- 5mm. We recommend installation does not start until after delivery. Please confirm all particulars prior to purchase, call 1300 DECINA or visit [decina.com.au](https://www.decina.com.au)