

PRIMA

Made in Australia

INSET BATH/SPA BATH WITH TILE BEAD - Premium Sanitary Grade Acrylic, High Gloss White

The Prima's increased width & depth makes it larger than many traditional shower baths, plus its molded head & neck supports offer extra comfort. The reinforced rim provides greater safety when entering & exiting the bath. *End waste position.*

- Molded arm rests
- Lumbar support
- Suitable for dual bathing
- Slip resistant pattern



PRIMA BATH

SIZE (l) x (w) x (d) mm	CAPACITY*	NET WEIGHT	CODE
1515 x 815 x 445	124L	19.3kg	PR1510W
1635 x 815 x 510	159L	22.6kg	PR1650W
1785 x 815 x 510	194L	25kg	PR1800W



- 15 YR WARRANTY*
- AS/NZ Standard 2023/1995
- Steel rod reinforced rim
- Double reinforced bath base

PRIMA SANTAI SPA BATH ● 10 JETS

SIZE (l) x (w) x (d) mm	CAPACITY*	NET WEIGHT	CODE
1515 x 815 x 445	124L	34.3kg	PR1510SAN10JW
1635 x 815 x 510	159L	37.6kg	PR1650SAN10JW
1785 x 815 x 510	194L	45kg	PR1800SAN10JW

- 10 YR WARRANTY* - SPA SHELL
- 5 YR WARRANTY* - PUMP, JETS & FITTINGS
- AS/NZ Standard AS3861/1991
- Steel rod reinforced rim
- Double reinforced bath base
- 6 x low profile Mod centro jets
- 4 x low profile Mod mini jets
- 1 x low profile Mod suction
- 1 x Mod power button (rim mounted)
- 2 x Mod air controls (rim mounted)
- 750 watt auto heat boost pump

PRIMA CONTOUR SPA BATH ●● 12 JETS

SIZE (l) x (w) x (d) mm	CAPACITY*	NET WEIGHT	CODE
1515 x 815 x 445	124L	34.3kg	PR1510CNSPAWC
1635 x 815 x 510	159L	37.6kg	PR1650CNSPAWC
1785 x 815 x 510	194L	45kg	PR1800CNSPAWC

- 10 YR WARRANTY* - SPA SHELL
- 5 YR WARRANTY* - PUMP, JETS & FITTINGS
- AS/NZ Standard AS3861/1991
- Steel rod reinforced rim
- Double reinforced bath base
- 6 x flush C-Lenda™ centro jets
- 6 x flush C-Lenda™ mini jets
- 2 x flush C-Lenda™ air controls
- 1 x flush C-Lenda™ suction
- 1 x Sensa-Touch pad control (rim mounted)
- 750 watt 3-stage heat boost pump

PRIMA DOLCE VITA SPA BATH ●●● 16 JETS

SIZE (l) x (w) x (d) mm	CAPACITY*	NET WEIGHT	CODE
1635 x 815 x 510	159L	68kg	PR1650DVSPAWC
1785 x 815 x 510	194L	75kg	PR1800DVSPAWC

- 10 YR WARRANTY* - SPA SHELL
- 5 YR WARRANTY* - PUMP, JETS & FITTINGS
- AS/NZ Standard AS3861/1991
- Steel rod reinforced rim
- Double reinforced bath base
- 6 x adjustable flush C-Lenda™ centro jets
- 10 x adjustable flush C-Lenda™ mini jets
- 2 x flush C-Lenda™ air controls
- 1 x flush C-Lenda™ suction
- Spa Key remote control
- 1100 watt spa key heat boost pump



Available with Chrome, White or Black jets

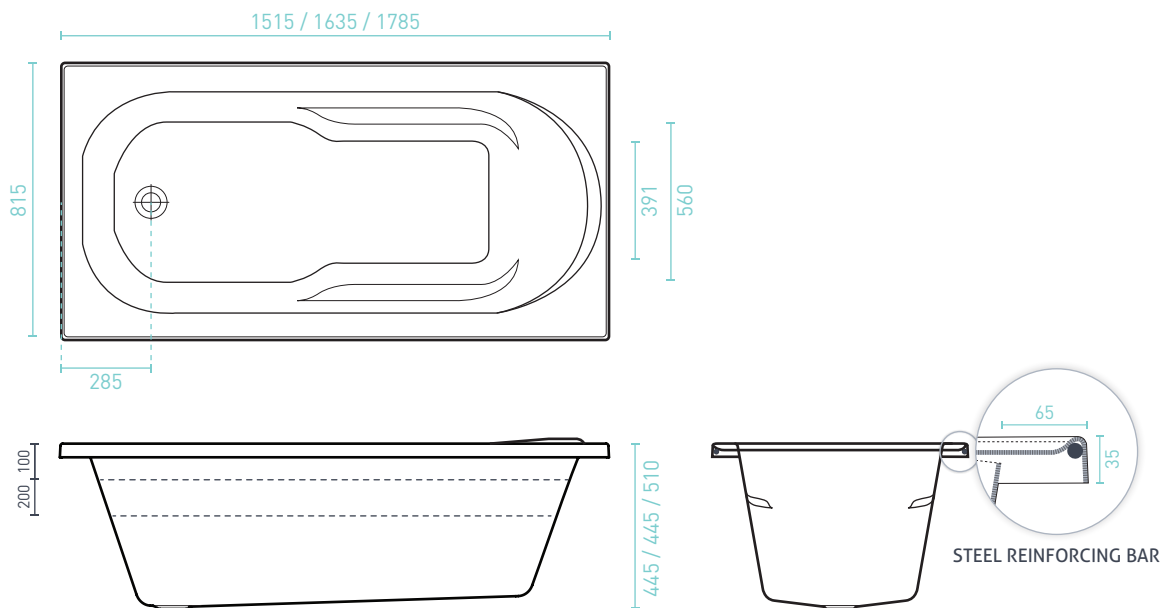


*Capacity 200mm below the bath rim

PRIMA ACCESSORIES	BATH	SANTAI SPA BATH	CONTOUR SPA BATH	DOLCE VITA SPA BATH
EZI Frame/Base Support Frame	Optional	Optional	Optional	✓
SIA Headrest (Black/White)	Optional	Optional	✓ x 1	✓ x 1
Overflow	Optional	Optional	Optional	Optional
Plug & Waste	Optional	Optional	Optional	Optional

PRIMA

INSET BATH/SPA BATH WITH TILE BEAD - Premium Sanitary Grade Acrylic, High Gloss White



SPA BATH ORDER FORM

Spa baths made to order on receipt of order form. Please allow 15 working days for completion & dispatch. We recommend filling out your SPA BATH ORDER FORM with your qualified spa bath installer.

COMPANY & BRANCH: _____ PHONE NO: _____
 CONTACT: _____ ORDER NO: _____ DATE: _____

MODEL: _____ SIZE: _____ QTY: _____ RANGE SANTAI CONTOUR DOLCE VITA

SANTAI SPA BATH OPTIONS

PUMP UPGRADE Manual Xtra-Heat Boost Pump (RRP \$215)

EZI FRAME Supplied Factory Fitted (RRP from \$115)

HEADRESTS White QTY: _____ Black QTY: _____ (RRP \$99 each)

PUMP UPGRADE Sensa-Touch Pad Control 3-Stage Heat (RRP \$425)

BASE SUPPORT FRAME Factory Fitted Overflow (RRP \$325)

CONTOUR SPA BATH OPTIONS

EZI FRAME Supplied Factory Fitted (RRP from \$115)

HEADREST COLOUR White Black

BASE SUPPORT FRAME Factory Fitted Overflow (RRP \$325)

DOLCE VITA SPA BATH OPTIONS

JET COLOUR Chrome White Black



HEADREST COLOUR White Black

SPA PUMP NOTES

- The Spa Pump does not fit directly underneath the baths perimeter
- Waste positions can not be changed

- The Spa Pump should be easily accessible for maintenance
- The Spa Pump controls will always be at the front, unless indicated below

----- Please refer to the technical drawings before choosing your spa pump position, as spa bath waste & pump positions CANNOT be customised -----

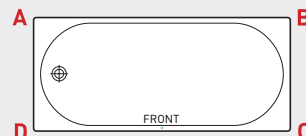
1. SPECIFY THE SPA PUMP POSITION Circle **A** / **B** / **C** or **D** on the diagram

300mm of pipework & 2 elbows are supplied to install the pump in the correct orientation.

If extra pipework is required, how much? _____mm (max. recommended distance between the spa bath & pump is 1.2m)

2. SPECIFY THE SHOWER HEAD POSITION Place a cross (X) on the diagram (if applicable)

Spa pump controls CANNOT be on the same end as the shower head.



CUSTOMER NAME: _____ CUSTOMER SIGNATURE: _____
 CUSTOMER EMAIL: _____ CUSTOMER PHONE NO: _____

*Whilst every effort is made to adhere to published jet & fittings positions, variation to specifications may occur without notice.