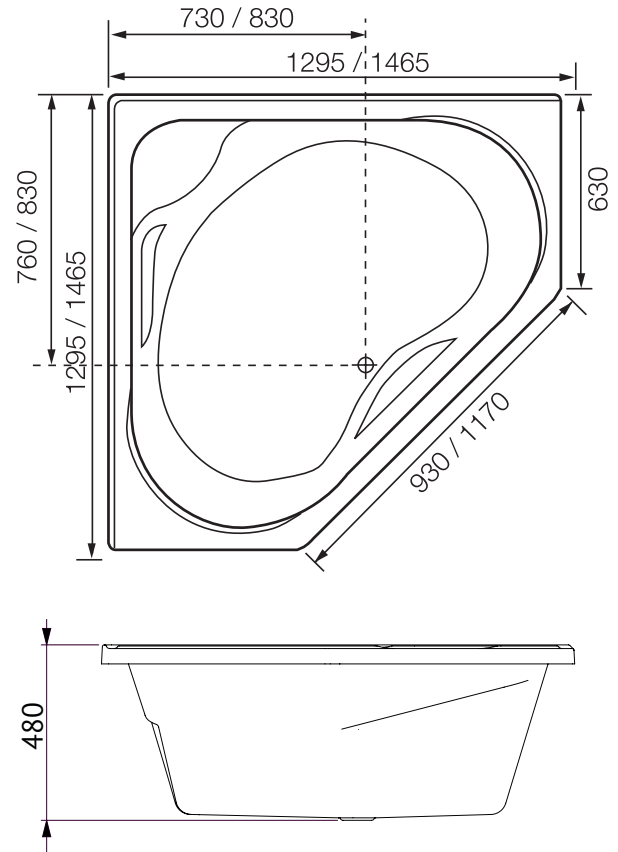


# ANGELIQUE

## Santai Spa Bath



### ANGELIQUE SANTAI 12 JET SPA BATH

The Angelique is timeless in design. Generous depth and additional features such as arm rest and ergonomic recliners have set the benchmark in corner bath design.

#### SIZES (l)x(w)x(h)

- AN1295SAN12JW ~ 1295 x 1295 x 480 (mm)
- AN1465SAN12JW ~ 1465 x 1465 x 480 (mm)

#### CAPACITY\* & NET WEIGHT

- 1295mm ~ 179 litres      25.3 kg
- 1465mm ~ 259 litres      45.0 kg

\*200mm below bath rim

#### WARRANTY:

- Ten year warranty -  
Conditions apply please see website for details

#### KEY FEATURES

- Inset bath with tile bead
- Made in Australia
- Made to AS/NZ Standard: AS3861/1991
- Manufactured from premium sanitary grade acrylic
- High gloss white
- Lumbar support & moulded arm rests
- Water pressure adjustable Mod jets
- Centre waste position

#### SPA CONFIGURATION

- 750 watt auto heat boost pump
- Mod Power Button
- Mod Air Control (x2)
- Mod Mini Jet (x6)
- Mod Centro Jet (x6)
- Mod suction

#### ACCESSORIES

- Sienna Headrest
- Corner Base Support Frame
- Overflow