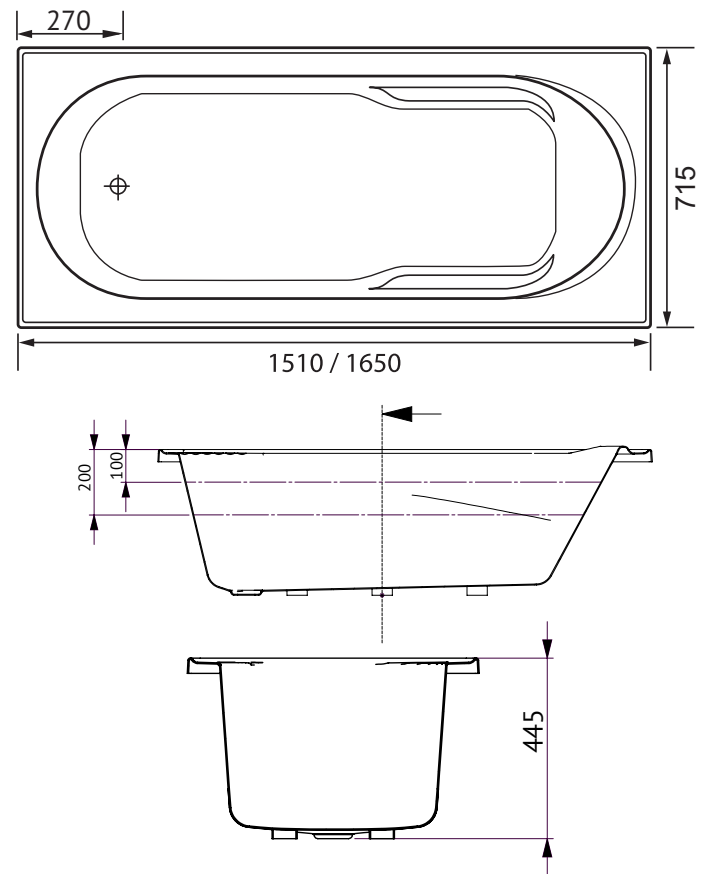


ADATTO

Santai Spa Bath ◉



ADATTO SANTAI 10 JET SPA BATH

The Adatto's smooth features and extra depth allows the bather to fully recline into the water. Arm rests sweep around from the shoulder position to provide comfort and a lumbar support cradles the back.

SIZES (l)x(w)x(h)

- *AD1510SAN10JW* ~ 1510 x 715 x 445 (mm)
- *AD1650SAN10JW* ~ 1650 x 715 x 445 (mm)

CAPACITY* & NET WEIGHT

- *1510mm* ~ 106 litres 31.0 kg
- *1650mm* ~ 122 litres 32.5 kg

*200mm below bath rim

WARRANTY:

- Ten year warranty -
Conditions apply please see website for details

KEY FEATURES

- Inset bath with tile bead
- Made in Australia
- Made to AS/NZ Standard: AS3861/1991
- Manufactured from premium sanitary grade acrylic
- High gloss white
- Lumbar support & arm rests
- Self-supporting feet for easy installation
- Water pressure adjustable Mod jets
- End waste position

SPA CONFIGURATION

- 750 watt auto heat boost pump
- Mod Power Button
- Mod Air Control (x2)
- Mod Mini Jet (x4)
- Mod Centro Jet (x6)
- Mod Suction

ACCESSORIES

- EZI Frame
- Sienna Headrest
- Overflow