

# ALEGRA

BACK-TO-WALL FREESTANDING BATH WITH TILE BEAD - Premium Sanitary Grade Acrylic, High Gloss White & High Gloss Black/White

The Alegra's beautiful curved edges & one sided tile bead design allows it to be integrated into the wall, achieving a water tight seal around the bath rim. One of Decina's TOP SELLERS, this design is now available in a contrasting black & white finish. Centre waste position.

- ✓ Adjustable self-supporting feet
- ✓ Lumbar support
- ✓ Suitable for dual bathing



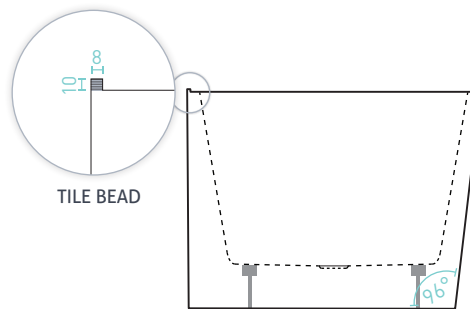
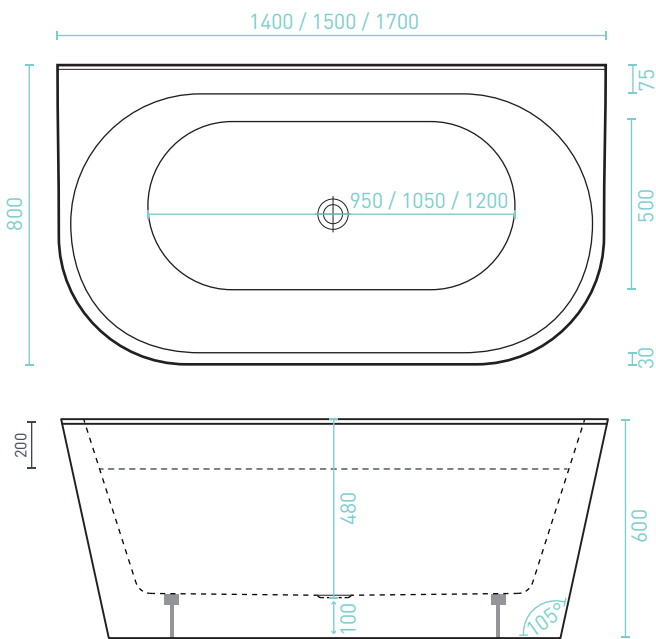
| SIZE (l x (w) x (d) mm | CAPACITY* | NET WEIGHT | CODE                       |
|------------------------|-----------|------------|----------------------------|
| 1400 x 800 x 600       | 135L      | 55kg       | <b>AG1400W</b> White       |
| 1500 x 800 x 600       | 162L      | 60kg       | <b>AG1500W</b> White       |
| 1700 x 800 x 600       | 175L      | 65kg       | <b>AG1700W</b> White       |
| 1700 x 800 x 600       | 175L      | 65kg       | <b>AG1700B</b> Black/White |



- 10 YR WARRANTY\*
- AS/NZ Standard 2023/1995



| ALEGRA ACCESSORIES | BATH     |
|--------------------|----------|
| Overflow           | Optional |
| Plug & Waste       | Optional |



\*Capacity 200mm below the bath rim