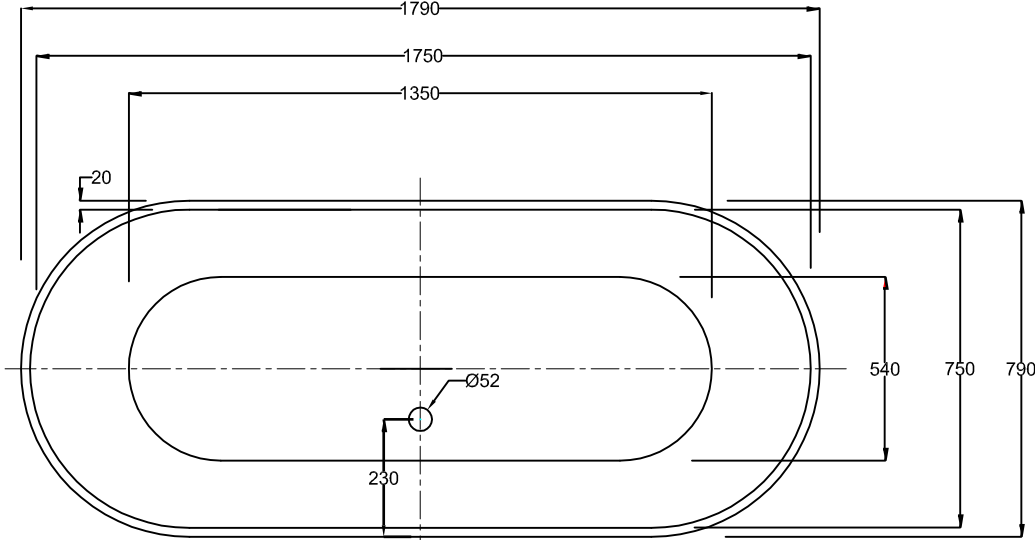
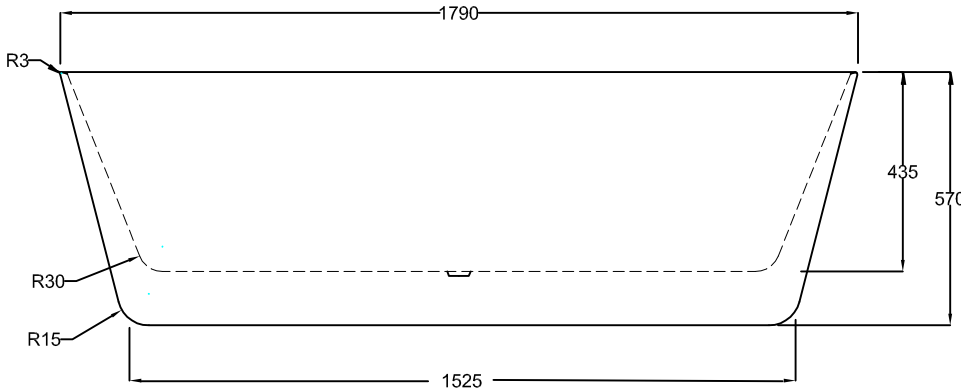


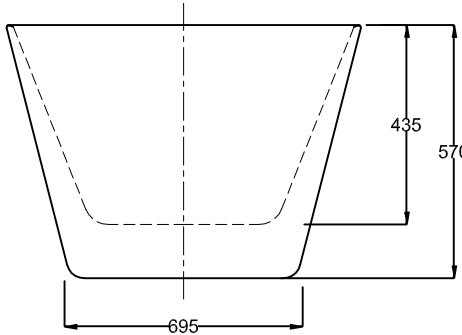
**ELINEA FREESTANDING BATH**  
**SIZE: 1790 x 790 x 570 (mm) (+/-10mm)**  
**VOLUME: 312 Litres**



TOP VIEW



FRONT VIEW



SIDE VIEW