

Aria Back-to-Wall Freestanding Bath with tile bead



Product Code: **AR1500W / AR1700W**

The Aria's rectangular shape features gently reclining back rests at either end, perfect for dual bathing. The unique Decina tile bead design allows it to be built into a tiled wall to save bathroom space and makes cleaning easier.

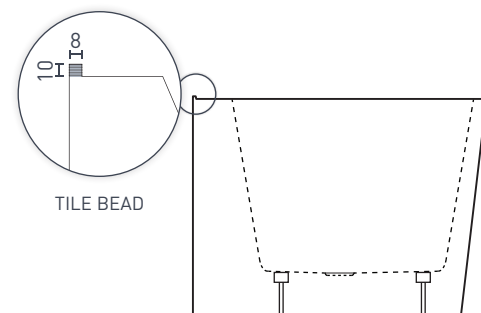
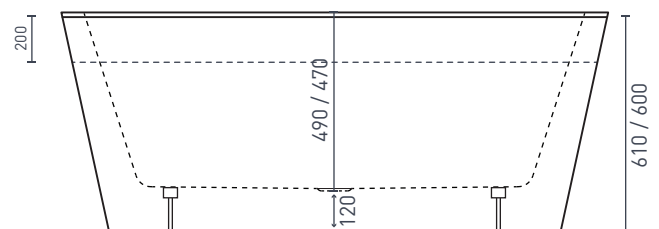
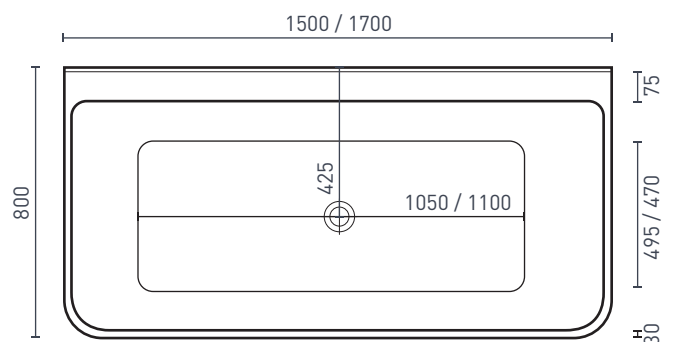
- AS/NZ Standard 2023/1995
- Adjustable self-supporting feet
- Lumbar support
- Suitable for dual bathing
- Internal steel support frame

PRODUCT SPECIFICATIONS

Colour:	High gloss white
Material:	Premium sanitary grade acrylic
Length:	1500mm / 1700mm
Width:	800mm
Height:	610mm / 600mm
Capacity:	182L / 201L [200mm below the bath rim]
Bath Type:	Back-to-wall freestanding
Waste Position:	Centre
Net Weight:	50kg / 64kg
Warranty:	10 years* (refer to decina.com.au)

OPTIONAL ACCESSORIES

- 40mm Removable Pop-up Waste *Chrome* **WA001**
White Gloss **WA002**, *Black Matte* **WA003**
- Pop-up Waste & Overflow Kit *Chrome* **OWA001**
- Pop-down Waste & Overflow Kit *Chrome* **OWA002**
- Pop-down Waste & Overflow Kit *Black* **OWA003**
- Flexible Bath Connector with Pop-up Waste *Chrome* **OWA004**
- Flexible Bath Connector *Cap & Lining only* **OWA005**
- Fiore Headrest *Black Straight* **SY242-A-B**



DECINA
DISCOVER INDULGENCE

DECINA.COM.AU 1300 DECINA

*Warranty T&Cs apply, visit decina.com.au Decina reserves the right to change specifications without notice. Due to manufacturing tolerances dimensions may vary +/- 5mm. We recommend installation does not start until after delivery. Please confirm all particulars prior to purchase, call 1300 DECINA or visit decina.com.au