

LAGO

ISLAND BATH/SPA BATH - Premium Sanitary Grade Acrylic, High Gloss White

Made in Australia

The Lago's large rectangle design combines form & function, making it ideal for dual bathing. It is the perfect match for the minimal, contemporary style found in today's bathrooms. *Centre waste position.*

Molded arm rests

Lumbar support

Suitable for dual bathing

Slip resistant pattern



LAGO BATH

| SIZE (l) x (w) x (d) mm | CAPACITY* | NET WEIGHT | CODE |
|-------------------------|-----------|------------|---------|
| 1795 x 1050 x 490 | 268L | 36kg | LA1800W |



- 15 YR WARRANTY*
- AS/NZ Standard 2023/1995
- Steel rod reinforced rim
- Double reinforced bath base



LAGO CONTOUR SPA BATH ●●● 18 JETS

| SIZE (l) x (w) x (d) mm | CAPACITY* | NET WEIGHT | CODE |
|-------------------------|-----------|------------|--------------|
| 1795 x 1050 x 490 | 268L | 56kg | LA1790CNPAWC |

- 10 YR WARRANTY* - SPA SHELL
- 5 YR WARRANTY* - PUMP, JETS & FITTINGS
- AS/NZ Standard AS3861/1991
- Steel rod reinforced rim
- Double reinforced bath base
- 6 x flush C-Lenda™ centro jets
- 12 x flush C-Lenda™ mini jets
- 2 x flush C-Lenda™ air controls
- 1 x flush C-Lenda™ suction
- 1 x Sensa-Touch pad control (rim mounted)
- 750 watt 3-stage heat boost pump



LAGO DOLCE VITA SPA BATH ●●●● 26 JETS

| SIZE (l) x (w) x (d) mm | CAPACITY* | NET WEIGHT | CODE |
|-------------------------|-----------|------------|---------------|
| 1795 x 1050 x 490 | 268L | 76kg | LA1790DVSPAWC |

- 10 YR WARRANTY* - SPA SHELL
- 5 YR WARRANTY* - PUMP, JETS & FITTINGS
- AS/NZ Standard AS3861/1991
- Steel rod reinforced rim
- Double reinforced bath base
- 6 x adjustable flush C-Lenda™ centro jets
- 20 x adjustable flush C-Lenda™ mini jets
- 2 x flush C-Lenda™ air controls
- 1 x flush C-Lenda™ suction
- Spa Key remote control
- 1100 watt spa key heat boost pump

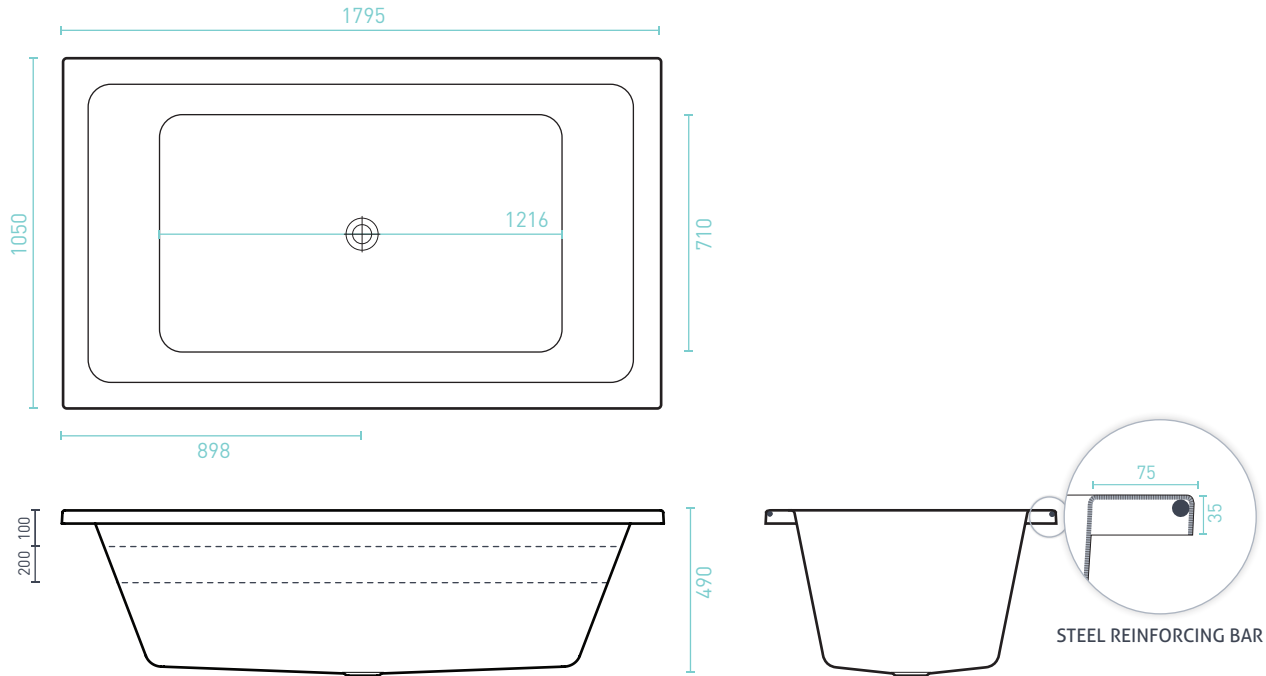
Available with Chrome, White or Black jets



| LAGO ACCESSORIES | BATH | CONTOUR SPA BATH | DOLCE VITA SPA BATH |
|-----------------------------|----------|------------------|---------------------|
| Base Support Frame | Optional | Optional | ✓ |
| Fiore Headrests Black/White | Optional | ✓ x 2 | ✓ x 2 |
| Overflow | Optional | Optional | Optional |
| Plug & Waste | Optional | Optional | Optional |

LAGO

ISLAND BATH/SPA BATH - Premium Sanitary Grade Acrylic, High Gloss White



SPA BATH ORDER FORM

Spa baths made to order on receipt of order form. Please allow 15 working days for completion & dispatch. We recommend filling out your SPA BATH ORDER FORM with your qualified spa bath installer.

COMPANY & BRANCH: _____ PHONE NO: _____
 CONTACT: _____ ORDER NO: _____ DATE: _____

MODEL: _____ SIZE: _____ QTY: _____ RANGE SANTAI CONTOUR DOLCE VITA


SANTAI SPA BATH UPGRADE OPTIONS

PUMP UPGRADE - Manual Xtra-Heat Boost Pump (RRP \$215) **PUMP UPGRADE** - Sensa-Touch Pad Control 3-Stage Heat (RRP \$425)
EZI FRAME - Supplied Factory Fitted **BASE SUPPORT FRAME** - Factory Fitted Overflow
HEADRESTS - White QTY: _____ Black QTY: _____ (RRP \$99 each)

CONTOUR SPA BATH UPGRADE OPTIONS

EZI FRAME - Supplied Factory Fitted **BASE SUPPORT FRAME** - Factory Fitted Overflow
HEADREST COLOUR - White Black

DOLCE VITA SPA BATH OPTIONS

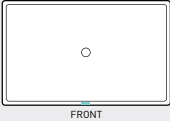
JET COLOUR - Chrome White Black  **HEADREST COLOUR** - White Black

SPA PUMP NOTES

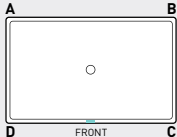
- The Spa Pump does not fit directly underneath the baths perimeter
- The Spa Pump should be easily accessible for maintenance
- Waste positions can not be changed
- The Spa Pump controls will always be at the front, unless indicated below

PLEASE INDICATE ON THE DIAGRAMS BELOW: (please refer to the technical drawings before choosing your pump position)

SHOWER HEAD POSITION (if applicable)
 The Spa Pump controls CAN NOT be on the same end as the shower head.



SPA PUMP POSITION (300mm of pipework is supplied)
 The recommended max. distance between the bath & spa pump is 1.2 metres.
 Is the distance between the bath and the spa pump over 300mm
 YES NO If YES how much extra pipework is required _____



CUSTOMER NAME: _____ CUSTOMER SIGNATURE: _____
 CUSTOMER EMAIL: _____ CUSTOMER PHONE NO: _____

*Whilst every effort is made to adhere to published jet & fittings positions, variation to specifications may occur without notice.