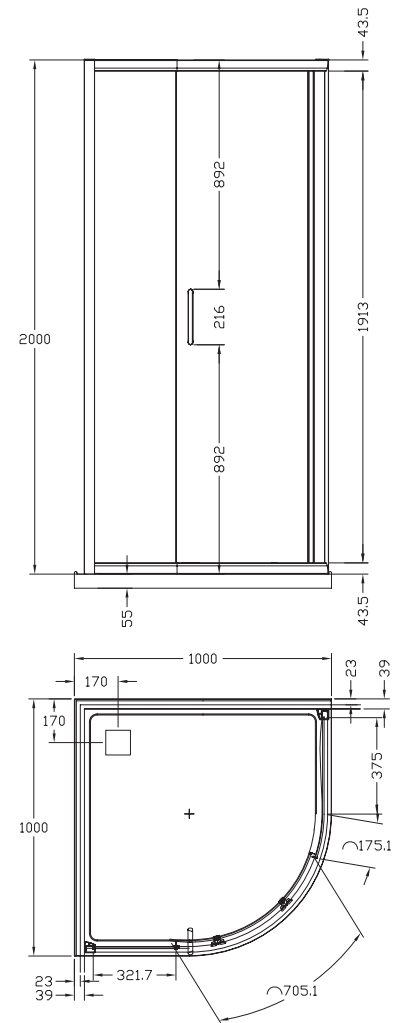


# LAVANO

## Shower System



### LAVANO CURVED SHOWER SYSTEM

Decina understands the need for space saving in small bathrooms. The Lavano is the perfect solution! The clever single centered sliding door glides on a sleek aluminium frame without interrupting valuable bathroom space. The easy access points to these shower enclosures are designed to create room for a basin, toilet and/or storage to be located on either side without normal door opening obstruction.

#### SIZE (l)x(w)x(h)

- *LASYS1000CURVED* ~ 1000 x 1000 x 2000 (mm)

#### NET WEIGHT

- 97.0 kg

### KEY FEATURES

- Lavano curved sliding shower screen
- Curved Luna shower base
- 2-sided Decina acrylic shower wall
- Made to Australian Standards
- EZI Clean screen coating for easy cleaning
- Easy to install
- Reversible sliding door can be installed for left or right hand entry
- Concealed fixtures
- 6mm toughened safety glass
- Steel chrome features

### WARRANTY:

- Shower Screen ~ Five year warranty
  - Shower Wall ~ Five Year warranty
  - Shower Base ~ Ten year warranty
- Conditions apply please see website for details