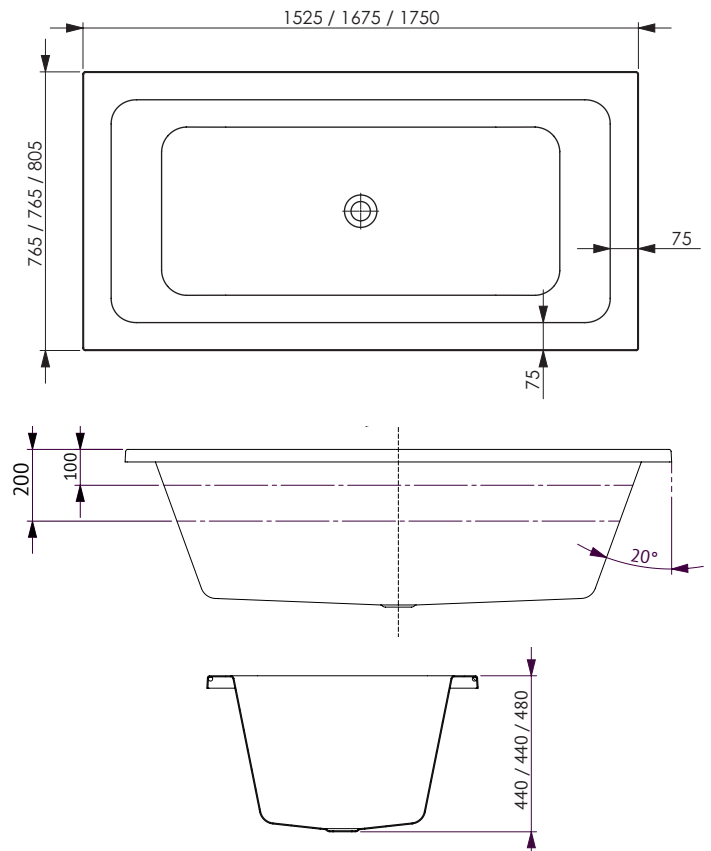


CARINA

Contour Spa Bath



CARINA CONTOUR 14 JET SPA BATH

The Carina's planes have been angled to maximise bath space/utility, reclining comfort and function. Its form is that of an island bath so it has to be set away from adjoining walls allowing the viewer to truly appreciate its simple elegance.

SIZES (l)x(w)x(h)

- CA1525CNPAWC ~ 1525 x 765 x 440 (mm)
- CA1675CNPAWC ~ 1675 x 765 x 440 (mm)
- CA1750CNPAWC ~ 1750 x 805 x 485 (mm)

CAPACITY* & NET WEIGHT

- 1525mm ~ 147 litres 34.0 kg
- 1675mm ~ 166 litres 37.0 kg
- 1750mm ~ 182 litres 45.0 kg

*200mm below bath rim

WARRANTY:

- Ten year warranty -
Conditions apply please see website for details

KEY FEATURES

- Island style
- Made in Australia
- Manufactured from premium sanitary grade acrylic
- Made to Australian Standard: 2023/1995
- High gloss white
- C-Lenda™ Flush Jets (x14)
- Centre waste position
- Headrests (x2)

SPA CONFIGURATION

- 750 watt 3-stage heat boost pump
- Sensa-Touch pad control
- C-Lenda™ Flush Air Control (x2)
- C-Lenda™ Flush Mini Jet (x8)
- C-Lenda™ Flush Centro Jet (x6)
- C-Lenda™ Flush Suction

ACCESSORIES

- EZI Frame
- Overflow