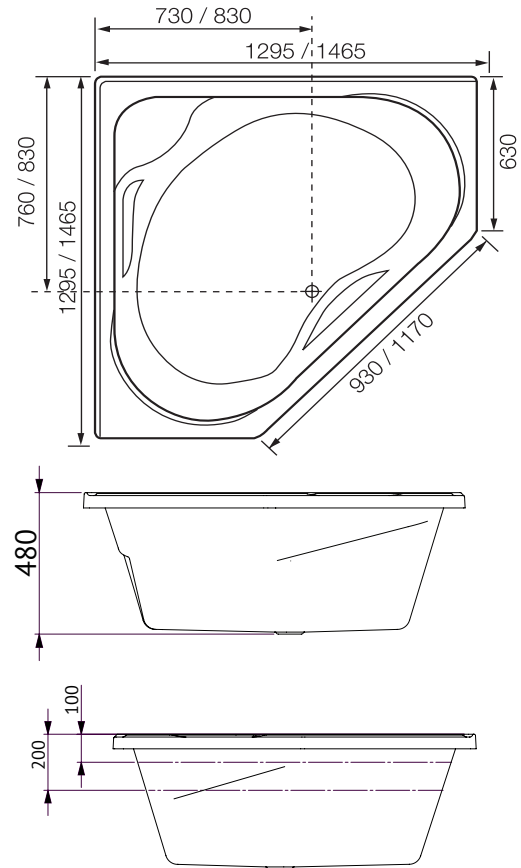


ANGELIQUE

Contour Spa Bath



ANGELIQUE CONTOUR 14 JET SPA BATH

The Angelique is timeless in design. Generous depth and additional features such as arm rest and ergonomic recliners have set the benchmark in corner bath design.

SIZES (l)x(w)x(h)

- AN1295CNPAWC ~ 1295 x 1295 x 480 (mm)
- AN1465CNPAWC ~ 1465 x 1465 x 480 (mm)

CAPACITY* & NET WEIGHT

- 1295mm ~ 179 litres 35.3 kg
- 1465mm ~ 259 litres 45.0 kg

*200mm below bath rim

WARRANTY:

- Ten year warranty -
Conditions apply please see website for details

KEY FEATURES

- Inset bath with tile bead
- Made in Australia
- Manufactured from premium sanitary grade acrylic
- Made to Australian Standard: 2023/1995
- High gloss white
- Lumbar support & moulded arm rests
- Centre waste position
- Sienna headrests (x2)

SPA CONFIGURATION

- 750 watt 3-stage heat boost pump
- Sensa-Touch pad control
- C-Lenda™ Flush Air Control (x2)
- C-Lenda™ Flush Mini Jet (x8)
- C-Lenda™ Flush Centro Jet (x6)
- C-Lenda™ Flush Suction

ACCESSORIES

- Corner Base Support Frame
- Overflow