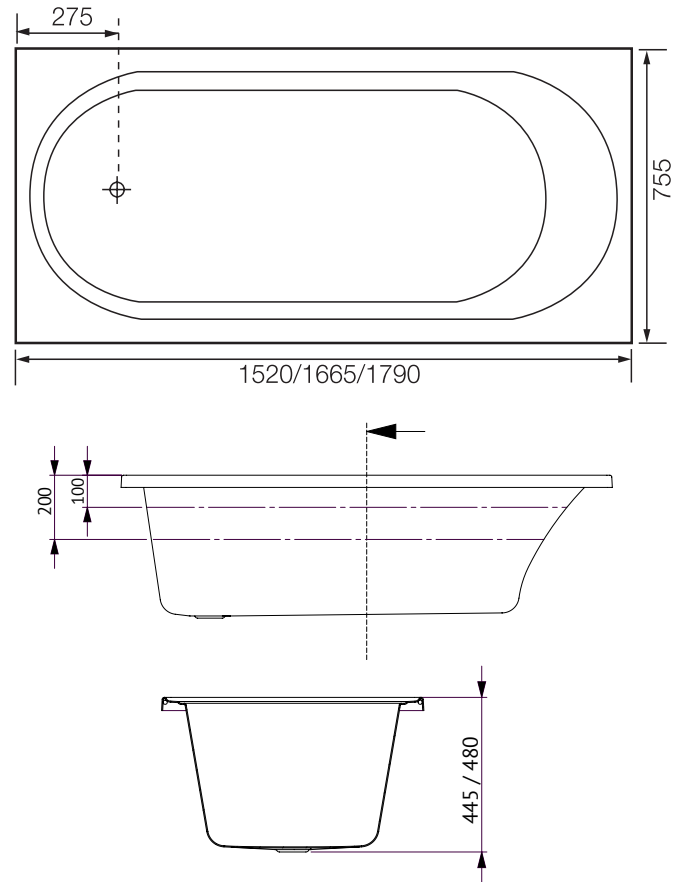


TURIN

Contour Spa Bath ●●



TURIN CONTOUR 12 JET SPA BATH

There has been a distinct movement back to the elegant, simple lines of yesterday. Form and function combine to provide a variety of bather sizes.

SIZES (l)x(w)x(h)

- *TU1520CNPAWC* ~ 1520 x 755 x 445 (mm)
- *TU1675CNPAWC* ~ 1665 x 755 x 445 (mm)
- *TU1790CNPAWC* ~ 1790 x 755 x 480 (mm)

CAPACITY* & NET WEIGHT

- *1520mm* ~ 121 litres 34.0 kg
- *1665mm* ~ 138 litres 36.0 kg
- *1790mm* ~ 153 litres 39.0 kg

*200mm below bath rim

WARRANTY:

- Ten year warranty -
Conditions apply please see website for details

KEY FEATURES

- Inset bath with tile bead
- C-Lenda™ Flush Jets (x12)
- Manufactured from premium sanitary grade acrylic
- Made in Australia
- Made to AS/NZ Standard: 2023/1995
- High gloss white
- Lumbar support
- End waste position
- Sienna headrest

SPA CONFIGURATION

- 750 watt 3-stage heat boost pump
- Sensa-Touch pad control
- C-Lenda™ Flush Air Control (x2)
- C-Lenda™ Flush Mini Jet (x6)
- C-Lenda™ Flush Centro Jet (x6)
- C-Lenda™ Flush Suction

ACCESSORIES

- EZI Frame
- Overflow