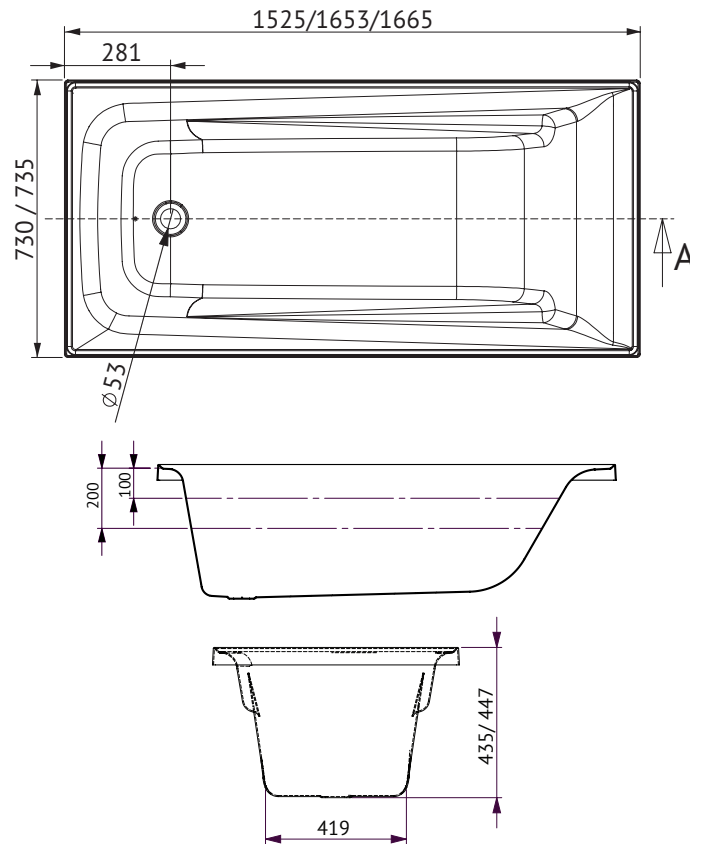


# NOVARA

## Contour Spa Bath ◉ ◉



### NOVARA CONTOUR 12 JET SPA BATH

Soft internal lines and generous lumbar area creates the perfect invitation to relax and rejuvenate. Available as an Inset bath with tile bead or as an Island style bath it also features self-supporting feet for easy installation.

#### SIZES (l)x(w)x(h)

- *NT1525CNPAWC* ~ 1525 x 735 x 447 (mm) (Tile bead)
- *NT1665CNPAWC* ~ 1665 x 735 x 447 (mm) (Tile bead)
- *NO1650CNPAWC* ~ 1653 x 730 x 435 (mm) (Island)

#### CAPACITY\* & NET WEIGHT

- 1525mm ~ 101 litres      31.5 kg
- 1665mm ~ 114 litres      34.0 kg
- 1653mm ~ 114 litres      34.0 kg

\*200mm below bath rim

#### WARRANTY:

- Ten year warranty -  
Conditions apply please see website for details

#### KEY FEATURES

- Inset bath with tile bead (1525mm & 1665mm)
- Island style bath (1653mm)
- Made in Australia
- Manufactured from premium sanitary grade acrylic
- Made to Australian Standard: 2023/1995
- High gloss white
- Lumbar support & moulded arm rests
- C-Lenda™ Flush Jets (x12)
- End waste position

#### SPA CONFIGURATION

- Sensa-Touch pad control
- C-Lenda™ Flush Air Control (x2)
- C-Lenda™ Flush Mini Jet (x6)
- C-Lenda™ Flush Centro Jet (x6)
- C-Lenda™ Flush Suction
- 750 watt 3-stage heat boost pump

#### ACCESSORIES

- EZI Frame
- Overflow