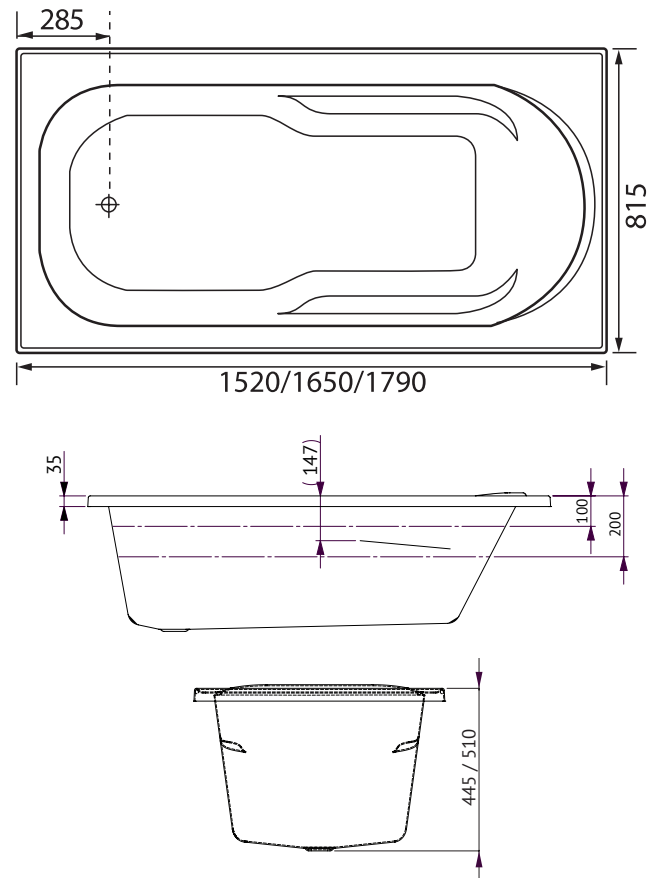


PRIMA

Santai Spa Bath



PRIMA SANTAI 10 JET SPA BATH

Wider and deeper than traditional shower baths the Prima's bath base has been reinforced with a timber and fiberglass resin coating for sturdiness and durability providing greater safety when entering and exiting the bath.

SIZES (l)x(w)x(h)

- *PR1510SAN10JW* ~ 1520 x 815 x 445 (mm)
- *PR1650SAN10JW* ~ 1650 x 815 x 510 (mm)
- *PR1800SAN10JW* ~ 1790 x 815 x 510 (mm)

CAPACITY* & NET WEIGHT

- *1510mm* ~ 124 litres 34.3 kg
- *1650mm* ~ 159 litres 37.6 kg
- *1790mm* ~ 194 litres 45.0 kg

*200mm below bath rim

WARRANTY:

- Ten year warranty -
Conditions apply please see website for details

KEY FEATURES

- Inset bath with tile bead
- Made in Australia
- Made to AS/NZ Standard: 2023/1995
- Manufactured from premium sanitary grade acrylic
- High gloss white
- Lumbar support & arm rests
- Water pressure adjustable jets
- End waste position

SPA CONFIGURATION

- 600 watt auto heat boost pump
- Mod Power Button
- Mod Air Control (x2)
- Mod Mini Jet (x4)
- Mod Centro Jet (x6)
- Mod Suction

ACCESSORIES

- EZI Frame
- Sienna Headrest
- Overflow