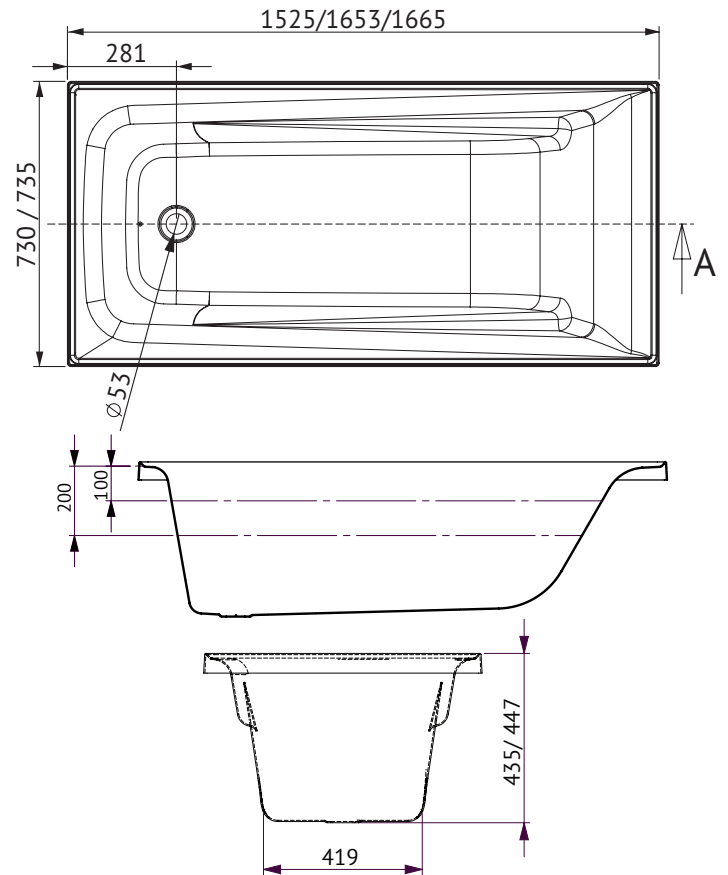


# NOVARA



## Santai Spa Bath



### NOVARA SANTAI 10 JET SPA BATH

Soft internal lines and generous lumbar area creates the perfect invitation to relax and rejuvenate. Available as an Inset bath with tile bead or as an Island style bath it also features self-supporting feet for easy installation.

#### SIZES (l)x(w)x(h)

- *NT1525SAN10JW* ~ 1525 x 735 x 447 (mm) (Tile bead)
- *NT1665SAN10JW* ~ 1665 x 735 x 447 (mm) (Tile bead)
- *NO1650SAN10JW* ~ 1653 x 730 x 435 (mm) (Island)

#### CAPACITY\* & NET WEIGHT

- 1525mm ~ 101 litres      31.5 kg
- 1665mm ~ 114 litres      34.0 kg
- 1653mm ~ 114 litres      34.0 kg

\*200mm below bath rim

#### WARRANTY:

- Ten year warranty -  
Conditions apply please see website for details

#### KEY FEATURES

- Inset bath with tile bead (1525mm & 1665mm)
- Island style (1653mm)
- Made in Australia
- Made to AS/NZ Standard: 2023/1995
- Manufactured from premium sanitary grade acrylic
- High gloss white
- Lumbar support & arm rests
- Water pressure adjustable Mod jets
- End waste position

#### SPA CONFIGURATION

- 600 watt auto heat boost pump
- Mod Power Button
- Mod Air Control
- Mod Mini Jet (x4)
- Mod Centro Jet (x6)
- Mod Suction

#### ACCESSORIES

- EZI Frame
- Fiore Headrest
- Overflow