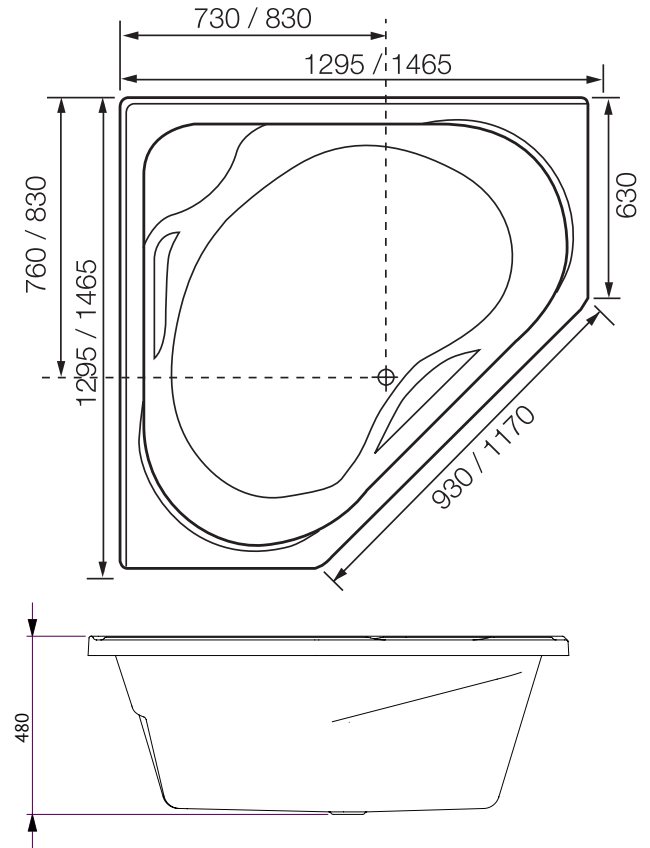


# ANGELIQUE

## *Dolce Vita Spa Bath* ●●●



### ANGELIQUE DOLCE VITA 16 JET SPA BATH

The Angelique is timeless in design. Generous depth and additional features such as arm rest and ergonomic recliners have set the benchmark in corner bath design.

#### SIZES (l)x(w)x(h)

- AN1295DVSPAWC ~ 1295 x 1295 x 480 (mm)
- AN1465DVSPAWC ~ 1465 x 1465 x 480 (mm)

#### CAPACITY\* & NET WEIGHT

- 1295mm ~ 179 litres      60.3 kg
- 1465mm ~ 259 litres      75.0 kg

\*200mm below bath rim

#### WARRANTY:

- Ten year warranty -  
Conditions apply please see website for details

#### KEY FEATURES

- Inset bath with tile bead
- Made in Australia
- Made to AS/NZ Standard: 2023/1995
- Manufactured from premium sanitary grade acrylic
- High gloss white
- Lumbar support & arm rests
- Corner galvanised base support frame
- Sienna headrests
- Centre waste position

#### SPA CONFIGURATION

- 1100 watt heat boost pump
- Spa Key remote for power/heat control
- Mood Lighting Touch Pad
- C-Lenda™ Flush Air Control (x2)
- C-Lenda™ Flush Mini Jet (x8)
- C-Lenda™ Flush Swirl Jet (x2)
- C-Lenda™ Flush Maxi Jet with LED Mood lights (x6)
- C-Lenda™ Flush Suction

#### ACCESSORIES

- Overflow