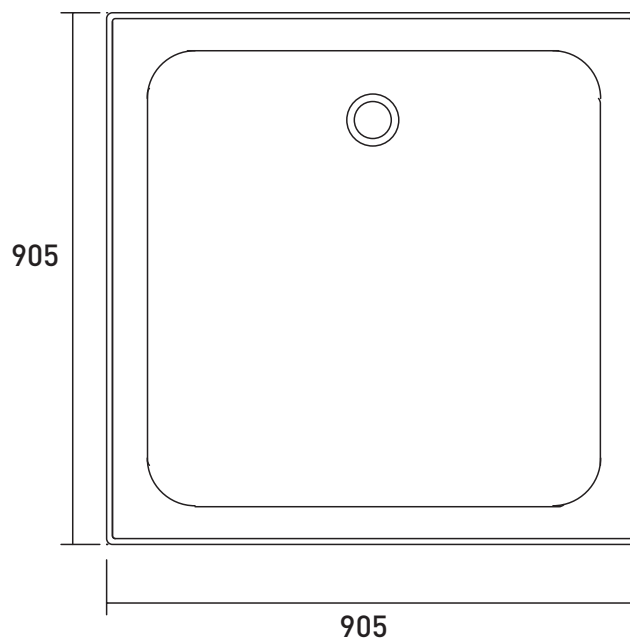


PRELUDE 905

Shower Base



PRELUDE 905 REAR OUTLET SHOWER BASE

The Prelude 905 acrylic shower base with rear outlet provides a premium quality acrylic shower base solution. Offering a simple design with four sided tile bead, the Prelude provides a great value shower base.

SIZE (w)x(d)x(h)

- SHC0911 R4 ~ 905 x 905 x 80* (mm)

*Base height to the top of the tile bead

NET WEIGHT

- 21.0 kg

WARRANTY:

- Ten year warranty -
Conditions apply please see website for details

KEY FEATURES

- 4-sided tile bead acrylic shower base
- Rear waste outlet position
- Made in Australia
- Made to Australian Standard: AS3588/1996
- Manufactured from premium sanitary grade acrylic
- Slip resistant
- High gloss white
- Steel rod reinforced base
- Warm under foot
- Won't stain, scratch or fade
- No mortar bed required
- Self-supporting feet for easy installation

ACCESSORIES

- 2-sided shower wall (SW900)
- 3-sided shower wall (SWAL900)