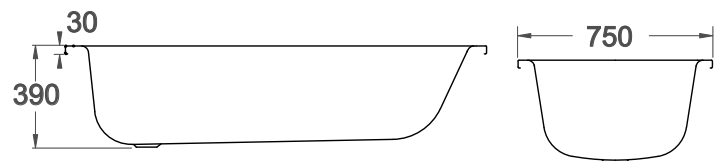
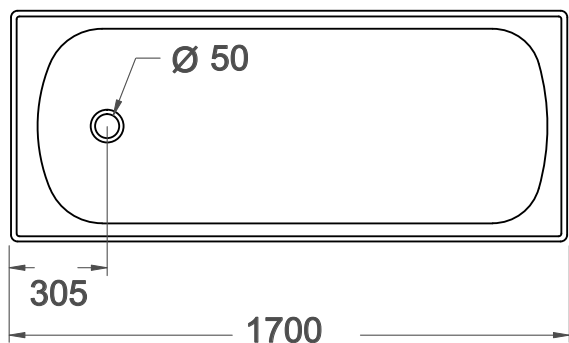
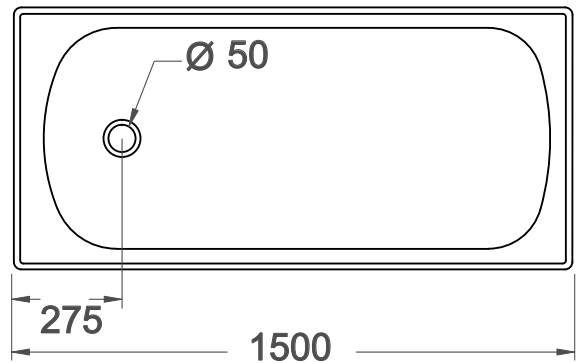


# STELLA



## *Pressed Metal Bath*



### STELLA PRESSED METAL BATH

Decina's range of pressed metal baths, provide a durable, good value alternative to our acrylic baths. Designed as an island style bath or inset bath, the exclusive, supplied tile bead strip allows the bath to be placed directly up against a tiled wall. The Stella is for those who prefer a wider and more spacious bath.

#### SIZE (l)x(w)x(h)

- ST1500M ~ 1500 x 750 x 390 (mm)
- ST1700M ~ 1700 x 750 x 390 (mm)

#### CAPACITY\* & NET WEIGHT

- 1500mm ~ 85 litres      29.2kg
- 1700mm ~ 95 litres      32.1kg

\*200mm below bath rim

### KEY FEATURES

- Inset bath or Island style bath
- Tile bead strip supplied
- Manufactured from white enamel steel
- Non - porous
- Scratch resistant
- 1.8mm enamel

### ACCESSORIES

- Sienna Headrest

### WARRANTY:

- Five year warranty -  
Conditions apply please see website for details