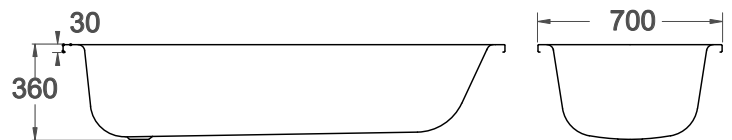
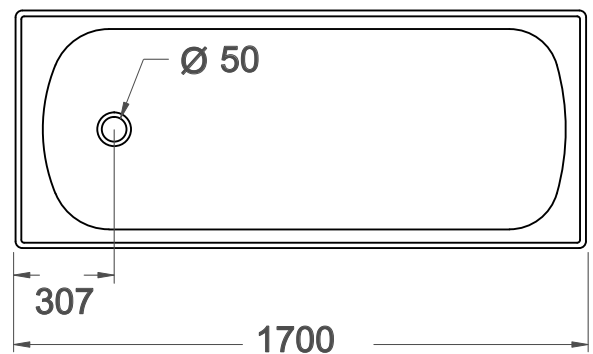
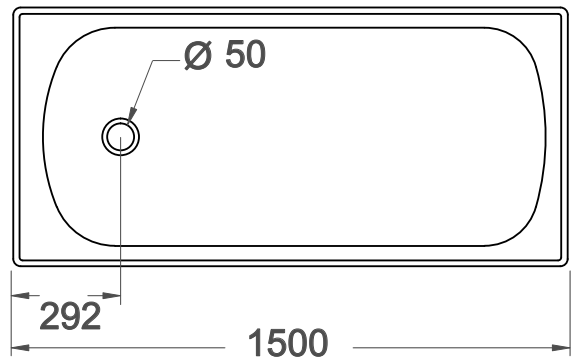


GIORGIA

Pressed Metal Bath



GIORGIA PRESSED METAL BATH

Decina's range of pressed metal baths, provide a stylish, durable and good value alternative to our acrylic baths. Designed as an island style bath or inset bath, the exclusive, supplied tile bead strip allows the bath to be placed directly up against a tiled wall.

SIZE (l)x(w)x(h)

- *G11500M* ~ 1500 x 700 x 360 (mm)
- *G11700M* ~ 1700 x 700 x 360 (mm)

CAPACITY* & NET WEIGHT

- 1500mm ~ 65 litres 21.0kg
- 1700mm ~ 75 litres 24.2kg

*200mm below bath rim

KEY FEATURES

- Inset bath or Island style bath
- Tile bead strip supplied
- Manufactured from white enamel steel
- Non - porous
- Scratch resistant
- 1.5mm enamel

ACCESSORIES

- Sienna Headrest

WARRANTY:

- Five year warranty -
Conditions apply please see website for details