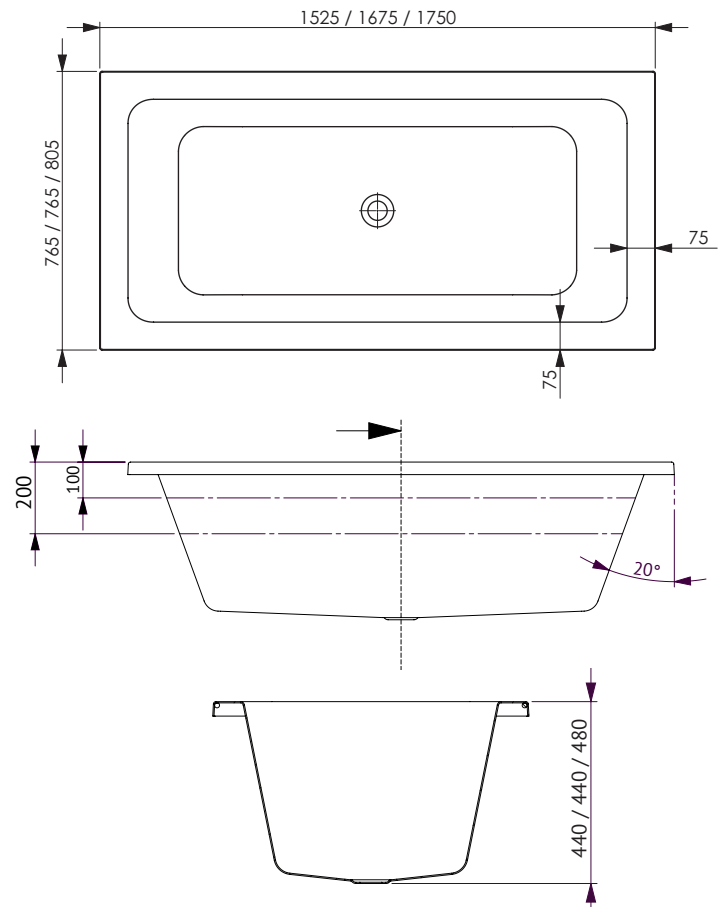


CARINA



Island Bath



CARINA ISLAND BATH

The Carina's planes have been angled to maximise bath space/utility, reclining comfort and function. Its Island style allows it to be set away from adjoining walls allowing the viewer to truly appreciate its simple elegance.

SIZE (l)x(w)x(h)

- CA1525W ~ 1525 x 765 x 440 (mm)
- CA1675W ~ 1675 x 765 x 440 (mm)
- CA1750W ~ 1750 x 805 x 480 (mm)

CAPACITY* & NET WEIGHT

- 1525mm ~ 147 litres 18.5 kg
- 1675mm ~ 166 litres 20.6 kg
- 1750mm ~ 182 litres 25.0 kg

*200mm below bath rim

FEATURES

- Island style bath
- Made in Australia
- Made to AS/NZ Standard: 2023/1995
- Manufactured from premium sanitary grade acrylic
- High gloss white
- Centre waste position

ACCESSORIES

- EZI Frame
- Fiore Headrest
- Overflow

WARRANTY:

- Fifteen year warranty -
Conditions apply please see website for details