

# SAN DIEGO



## SAN DIEGO INSET BATH

The San Diego features a slight curvature in the lumbar, which cradles the shoulders and extra depth, allows for full immersion. The generous length and centre waste allows for dual bathing and is suitable for wall or island installation.

### SIZE (l)x(w)x(h)

- SD1790W ~ 1790 x 820 x 480 (mm)

### NET WEIGHT

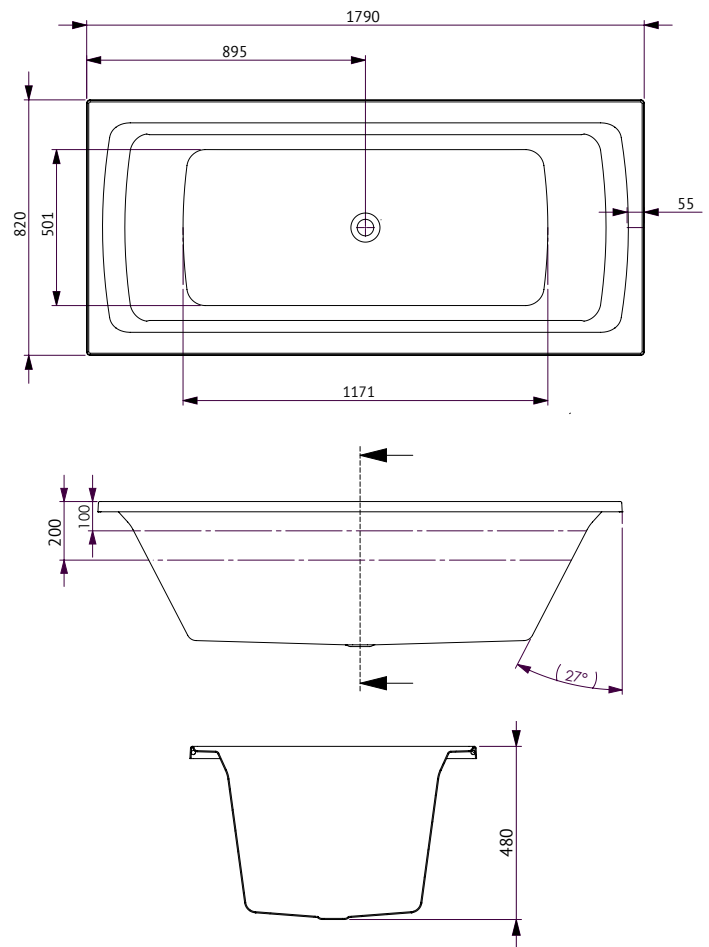
- 26 kg

### CAPACITY\*

- 194 litres

\*200mm from bath rim

## *Inset Bath*



## FEATURES

- Made in Australia
- Made to AS/NZ Standard: 2023/1995
- Manufactured from premium sanitary grade acrylic
- High gloss white
- Inset bath with tile bead
- Centre waste position

## ACCESSORIES

- EZI Frame
- Fiore Headrest
- Overflow

## WARRANTY:

- Fifteen year warranty - Conditions apply please see website for details