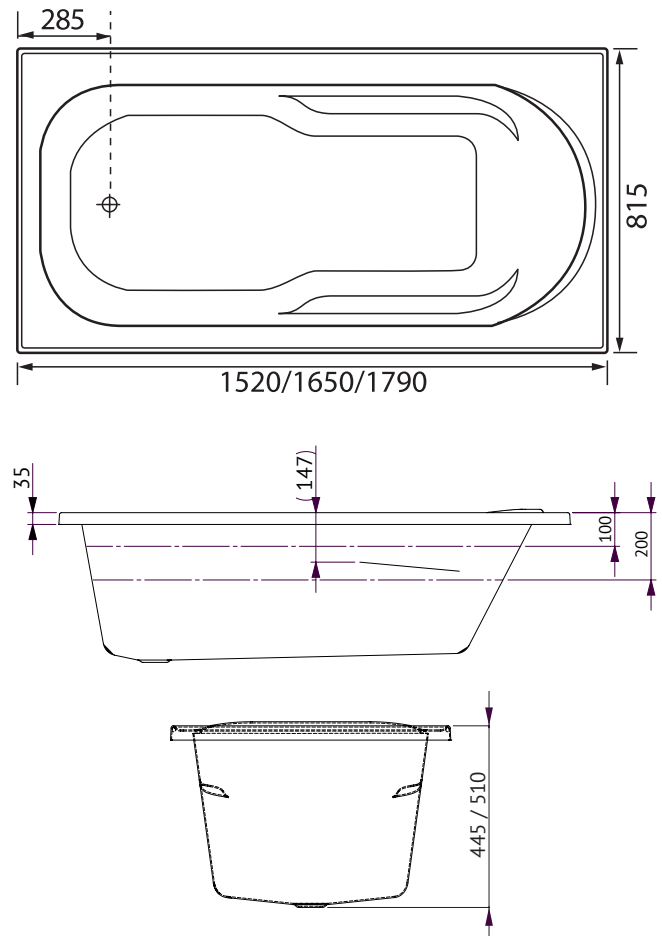


PRIMA



Inset Bath



PRIMA INSET BATH

Wider and deeper than traditional shower baths the Prima's bath base has been reinforced with a timber and fiberglass resin coating for sturdiness and durability providing greater safety when entering and exiting the bath.

SIZE (l)x(w)x(h)

- *PR1510W* ~ 1520 x 815 x 425 (mm)
- *PR1650W* ~ 1640 x 815 x 510 (mm)
- *PR1800W* ~ 1790 x 815 x 510 (mm)

CAPACITY* & NET WEIGHT

- *1520mm* ~ 124 litres 19.3 kg
- *1640mm* ~ 159 litres 22.6 kg
- *1790mm* ~ 194 litres 25.0 kg

*200mm below bath rim

FEATURES

- Inset bath with tile bead
- Made in Australia
- Made to AS/NZ Standard: 2023/1995
- Manufactured from premium sanitary grade acrylic
- High gloss white
- Molded arm rests & lumbar support
- End waste position

ACCESSORIES

- EZI Frame
- Sienna Headrest
- Overflow

WARRANTY:

- Fifteen year warranty -
Conditions apply please see website for details