

# NOVARA



## NOVARA INSET / ISLAND BATH

Soft internal lines and generous lumbar area creates the perfect invitation to relax and rejuvenate. Available as an Inset bath with tile bead or as an Island style bath it also features self-supporting feet for easy installation.

### SIZE (l)x(w)x(h)

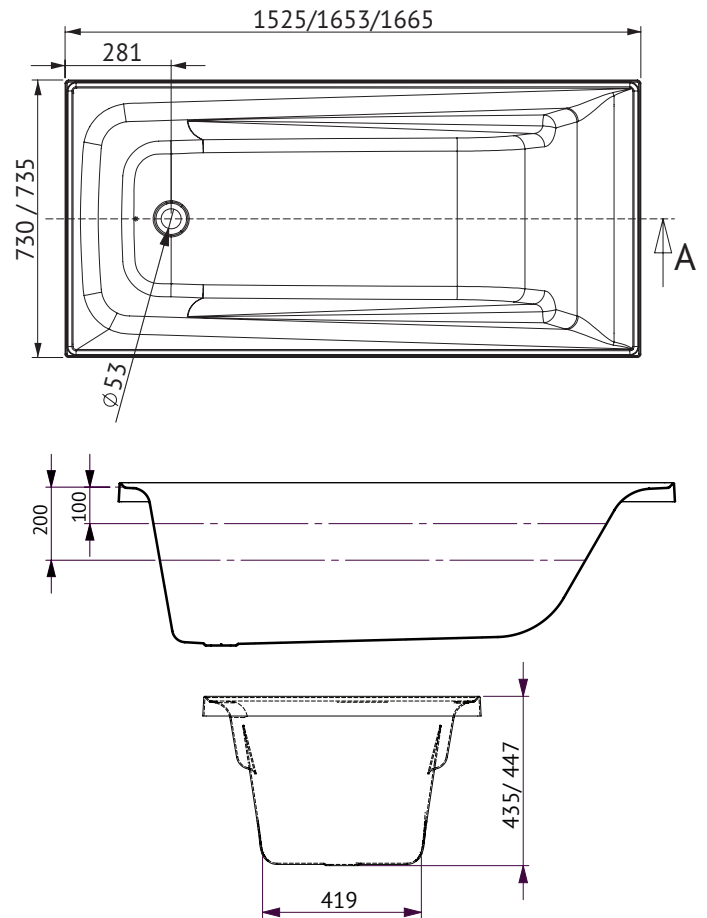
- *NT1525W* ~ 1525 x 735 x 447 (mm) (*Tile bead*)
- *NT1665W* ~ 1665 x 735 x 447 (mm) (*Tile bead*)
- *NO1650W* ~ 1653 x 730 x 435 (mm) (*Island style*)

### CAPACITY\* & NET WEIGHT

- *1525mm* ~ 101 litres      16.5 kg
- *1665mm* ~ 114 litres      17.0 kg
- *1653mm* ~ 114 litres      17.0 kg

\*200mm below bath rim

## *Inset/Island Bath*



## FEATURES

- Inset bath with tile bead (1525mm & 1665mm)
- Island style bath (1653mm)
- Made in Australia
- Made to AS/NZ Standard: 2023/1995
- Manufactured from premium sanitary grade acrylic
- High gloss white
- Molded arm rest & lumbar support
- Self supporting feet for easy installation
- End waste position

## ACCESSORIES

- EZI Frame
- Fiore Headrest
- Overflow

## WARRANTY:

- Fifteen year warranty -  
Conditions apply please see website for details