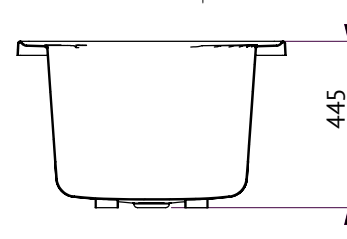
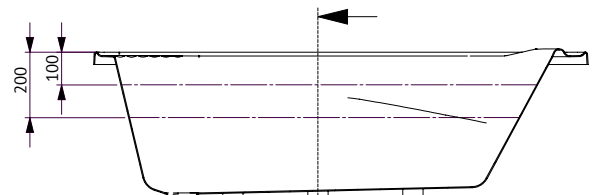
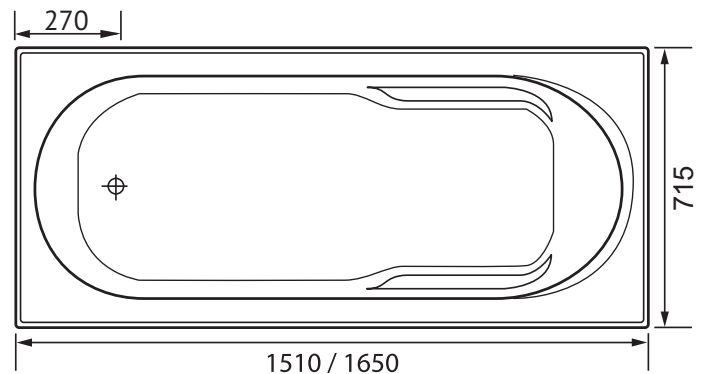


ADATTO

Inset Bath



ADDATO INSET BATH

The Adatto's smooth features and extra depth allows the bather to fully recline into the water. Arm rests sweep around from the shoulder position to provide comfort and a lumbar support cradles the back.

SIZE (l)x(w)x(h)

- *AD1510W* ~ 1510 x 715 x 445 (mm)
- *AD1650W* ~ 1650 x 715 x 445 (mm)

CAPACITY* & NET WEIGHT

- *1510mm* ~ 106 litres 16.0 kg
- *1650mm* ~ 122 litres 17.1 kg

*200mm below bath rim

FEATURES

- Made in Australia
- Made to AS/NZ Standard: 2023/1995
- Inset bath with tile bead
- Manufactured from premium sanitary grade acrylic
- High gloss white
- Lumbar support & arm rests
- Self-supporting feet for easy installation
- End waste position

ACCESSORIES

- EZI Frame
- Sienna Headrest
- Overflow

WARRANTY:

- Fifteen year warranty -
Conditions apply please see website for details