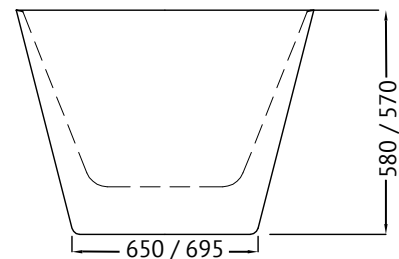
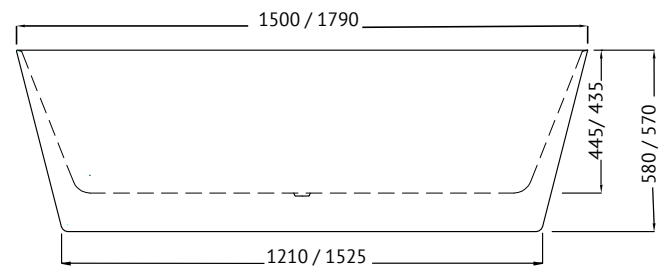
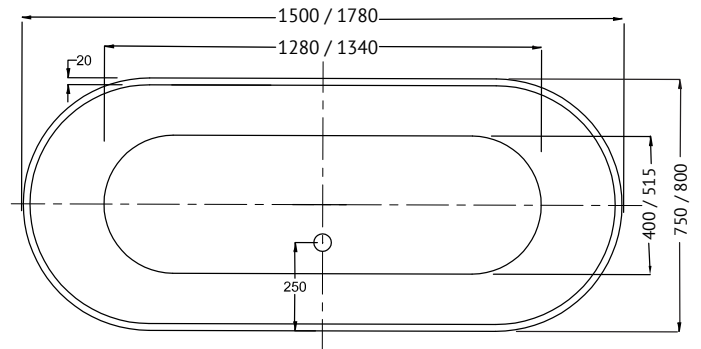


ELINEA

Freestanding Bath



ELINEA FREESTANDING BATH

This classic oval shape with minimalist clean lines and an ultra thin lip around the bath is timeless in design. The Elinea features generous reclining lumbar areas at both ends to accommodate two bathers.

SIZE (l)x(w)x(h)

- *EL1500S* ~ 1500 x 750 x 580 (mm)
- *EN1780S* ~ 1780 x 800 x 570 (mm)

CAPACITY* & NET WEIGHT

- 1500mm ~ 235 litres 35.0 kg
- 1780mm ~ 312 litres 40.0 kg

*200mm below bath rim

KEY FEATURES

- Oval freestanding bath design
- Manufactured from premium sanitary grade acrylic
- Made to AS/NZ standard: 2023/1995
- High gloss white
- Off-centre waste position
- Ultra thin bath rim ~ 20mm
- Plug & waste not included

ACCESSORIES

- Sienna Headrests

WARRANTY:

- Ten year warranty -
Conditions apply please see website for details