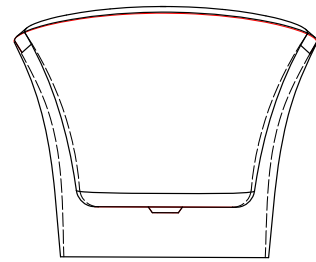
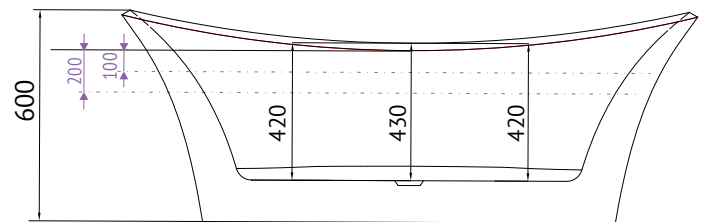
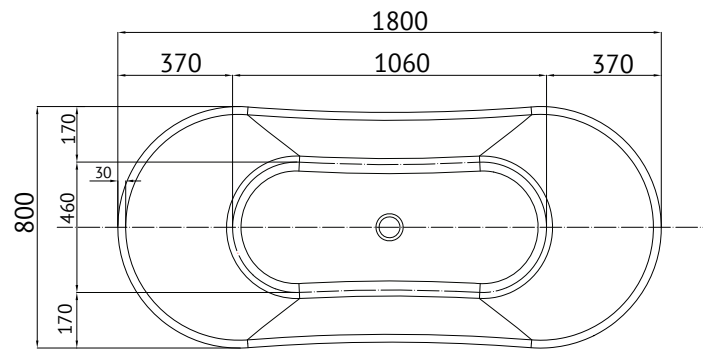


# HILTON

## *Freestanding Bath*



### HILTON FREESTANDING BATH

High sloping backs with elegant thin lip. Large enough to accommodate two bathers.

SIZE (l)x(w)x(h)

- *H11800W* ~ 1800 x 800 x 660 (mm)

NET WEIGHT

- 49.0 kg

CAPACITY\*

- 126 litres

\*200mm below bath rim

### KEY FEATURES

- Manufactured from premium sanitary grade acrylic
- Made to AS/NZ Standard : 2023/1995
- High gloss white
- Centre waste position
- Suitable for dual bathing
- Thin 30mm lip
- Plug and waste not included

WARRANTY:

- Ten year warranty -  
Conditions apply please see website for details