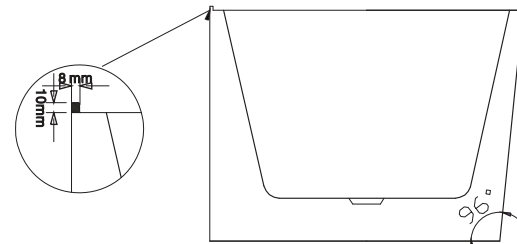
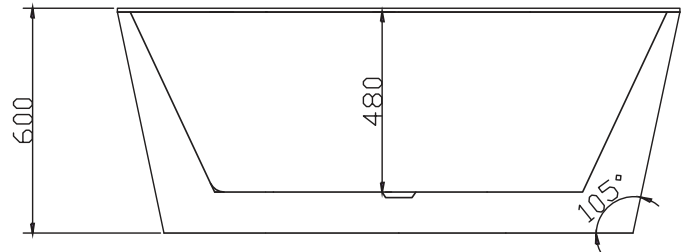
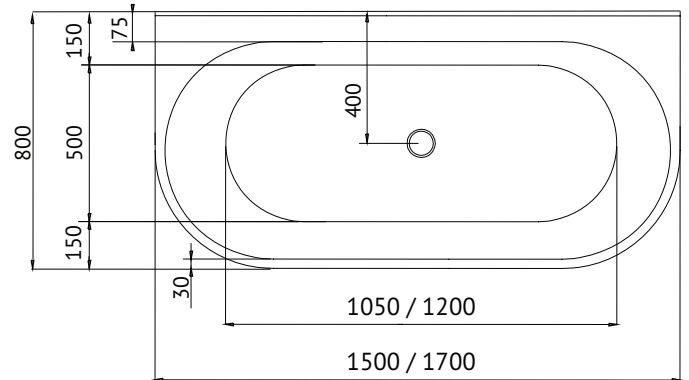


ALEGRA

Freestanding Bath



ALEGRA BACK-TO-WALL FREESTANDING BATH

The Alegra freestanding back-to-wall bath with beautiful curved edges, features a tile bead so it can sit against a tiled wall or be built into it.

SIZE (l)x(w)x(h)

- AG1500W ~ 1500 x 800 x 600 (mm)
- AG1700W ~ 1700 x 800 x 600 (mm)

CAPACITY* & NET WEIGHT

- 1500mm ~ 162 litres 60.0 kg
- 1700mm ~ 175 litres 65.0 kg

*200mm below bath rim

FEATURES

- Oval back-to-wall freestanding bath design
- Tile bead (H10 x W8 (mm))
- Can be checked into the wall or sit against the wall
- Manufactured from premium sanitary grade acrylic
- Made to AS/NZ standard: 2023/1995
- High gloss white
- Centre waste position

ACCESSORIES

- Sienna Headrests

WARRANTY:

- Ten year warranty -
Conditions apply please see website for details